

W H Y T E
P E R F O R M A N C E B Y D E S I G N





W H Y T E

P E R F O R M A N C E B Y D E S I G N

DESIGNED IN THE UK	PAGES 4-5
WHYTE GEOMETRY	PAGES 6-7
MATERIALS	PAGES 8-9
RACING	PAGES 10-11
QUAD 4 SUSPENSION	PAGES 12-13
SCR / SCS	PAGES 14-15
INTERGRIP / GETTA GRIP	PAGES 16-17
G-150 GRAVITY ENDURO	PAGES 18-21
T-130 TRAIL SUSPENSION 650b / 27.5"	PAGES 22-27
TRAIL HARDTAIL 650b / 27.5"	PAGES 28-33
T-129 XC/TRAIL 29ER	PAGES 34-39
X-29 PERFORMANCE XC HARDTAIL	PAGES 40-45
X-8 PERFORMANCE HARDTAIL 650b / 27.5"	PAGES 46-51
X-6 SPORTS HARDTAIL 650b / 27.5"	PAGES 52-57
X-4 KIDS PERFORMANCE HARDTAIL	PAGES 58-61
M-109 CARBON XC SUSPENSION 29ER	PAGES 62-65
29-C CARBON PERFORMANCE HARDTAIL 29ER	PAGES 66-71
CX CYCLOCROSS	PAGES 72-75
LIGHTWEIGHT CLASSIC LADIES	PAGES 76-79
C7 ALL TERRAIN SERIES	PAGES 80-89
R7 FAST URBAN SERIES	PAGES 90-101
RD-7 ROAD DISC	PAGES 102-109
RRD CARBON ROAD DISC	PAGES 110-113
WHYTE PARTS AND ACCESSORIES	PAGES 114-115
GEOMETRY	PAGES 116-121
SPECIFICATIONS	PAGES 122-133



DESIGNED IN THE UK
PROVEN WORLDWIDE



Since Whyte began in 1999, our motto has been “performance by design”. Our core R&D team, based in the Cotswolds, live, ride, test and design on the same roads and trails that you ride, and most importantly, in the same conditions - often worse. We know what it’s like to be wet and cold and trying to operate a seat-post quick release with frozen fingers - that’s why you’ll see that ours has a bigger lever than anyone else’s. It’s also why you’ll find Crud-Catcher mounts on our mountain bikes (we’ve spent too many afternoons picking grit out of our eyes after lunchtime rides not to), and it’s why we’ve taken a unique approach to geometry, designed to inspire confidence in all conditions on all different types of terrain.

We don’t just stick to the UK though - our race teams compete on existing and prototype Whyte bikes across the globe, from the European gravity enduro circuit to endurance races in Nepal. It’s all valuable feedback that allows us to constantly improve our designs and make Whyte bikes better each year.

Whether we’re riding or perfecting new products in the workshop, we like to push the limits of what’s possible, starting with a clean slate and approaching problems logically, with the aim of creating bikes that we all want to ride and that will make you faster, more confident, and have more fun, whilst requiring as little maintenance as possible. It’s an approach that has won us a string of magazine tests and industry awards, culminating in the prestigious UK Trail Bike of the Year Award in 2013.

We could go on, but the proof is in the riding - join us at one of our UK-wide demo days to find out for yourself.

WHYTE GEOMETRY

MUCH MORE THAN JUST NUMBERS

When we talk about a bicycle's geometry, we're talking about the angles and measurements that determine where the rider is positioned between the wheels, and how the bike connects with the ground. It might sound dull, but it's something we get very excited about at Whyte, and with good reason: more than the components or the frame material, a bike's geometry defines the way it rides. We believe our geometry is the best out there and what sets Whyte apart from the competition in every category. Judging by the reviews, we're right.

The Whyte formula has been 15 years in the making: it's a formula that inspires confidence in beginners and casual cyclists alike, whilst allowing our expert race teams to perform to the absolute limits of their ability. As such, confidence is our ultimate goal when we're designing a bike: whether you're cruising the city's pot-holed streets to get to work or competing at the highest level, we want you to feel secure knowing that you're in charge and not the bike.

We achieve this by combining a relaxed head angle (the angle the front fork comes out of the frame) with a longer than average front centre to create a bike that is stable at speed and feels predictable, especially when the terrain gets steeper. To sharpen up the steering response for low-speed precision we spec wide handlebars and short stems. At the back of the bike, we always aim to make the chainstays as short as physically possible to maximise the bike's agility, making it easier to do everything from popping up curbs to boosting through the gnarliest trail obstacles.

It's a formula that works in all situations, whatever your ambitions and whatever your level of skill. Simply put, geometry can make or break a bike: with Whyte's unique approach, we've ensured you'll get maximum enjoyment from every ride.



MATERIALS SELECTED FOR LONGTERM PERFORMANCE

We make frames from aluminium and carbon fibre, both of which are versatile, high performance materials that are equally at home in the the world's largest commercial aeroplanes as they are in the manufacture of bicycles.

Both materials have their own unique properties, and used correctly can create bikes that have lasting character. Through the combination of engineering know-how, great design and the use of the best grades of carbon fibre and aluminium available, we are able to create everything from the super-stiff structures required for a full-suspension bike, to lively yet comfortable hardtail frames.

ALUMINIUM CUSTOM TUBING FOR A SUPERIOR RIDE

Our selection of premium 6061 grade aluminium is perhaps the ultimate refinement of this frame material. The aluminium we use has been specially developed to allow for hydro-forming (where hot oil is pumped through the tube at pressure to fine-tune its profile) and welding, and our tubes are custom drawn to our own specifications.

That translates into thinner tube butting profiles over the entire length of the tube, and means that for the same strength, stiffness and fatigue characteristics we can engineer a lighter chassis.

Whyte hydro-formed aluminium frame designs concentrate on creating the most efficient shapes for the chassis, whilst retaining an elegant overall design profile. Take our seatstays and chainstays for example: they're internally butted to reduce weight and have extensive shaping and tapering to increase strength and stiffness, whilst generating tyre and mud clearance where it's needed, and offering tangible comfort benefits in use. Very few brands are able to engineer that level of detail and maintain durability: we're proud to be one of the few who go the extra mile.

CARBON FIBRE TAILORED FOR A PERFECT RIDE

The performance of any carbon fibre component relies on three things: the quality of the raw material, the integrity of the design, and the precision of the assembly. That's why at Whyte we take complete control of the design process then work closely with some of the world's best carbon manufacturers to bring those designs to life.

The closeness of that working relationship allows us to develop our own special combinations of filament grades and resin types to give our carbon frames and components a genuine performance advantage that others can't match, along with reliability you can trust.





WHYTE RACING PROVEN IN COMPETITION

Racing has always been an important part of the Whyte story, but it's unlikely you'll find our riders on the top step of a World Cup podium any time soon. Anyone can throw their jersey on the fastest new athletic wunderkind and watch them win races, but we prefer to do things a little differently. When we recruit athletes we are looking for ambassadors first, racers second: the sort of riders who love riding their bikes, with or without a number board attached to their handlebars, and who are able to give us the most valuable kind of real-world feedback on our prototype designs. That's why you'll see riders like elite XC racer Luke Smith, or ultra endurance hard man Steve Heading riding Whyte bikes: they are intelligent, race winning athletes who ride more than anyone you're likely to have ever met, and who actively work with our engineers to help us perfect our designs.



We support riders and teams across a broad spectrum of disciplines, from XC to Gravity Enduro, via self-supported bike packing events. For the last year we've even been sponsoring the Lotus F1 Junior team, helping the next generation of Formula One drivers reach the top of their sport. In mountain biking, the rise of the Gravity Enduro race format has been astounding, and Whyte is leading the charge with one of the best bikes on the circuit in the G-150. This type of racing is widely regarded as the closest thing to what most of us actually do when we ride our mountain bikes - socialise on the climbs, race down the descents - and that is an attitude that informs our bikes across the board. We want our racers to feel confident on their bikes and to fulfil their potential: our geometry helps them do that in every discipline. In supporting athletes at the top of their respective games, we're able to gather valuable feedback on our bikes which translates directly to you being able to ride further, faster, while having more fun. What works for our sponsored riders will work for you too.

QUAD 4 SUSPENSION

TAKE THE ROUGH WITH THE SMOOTH

When we set out to design bikes around the 29er and 650b wheel sizes, we quickly realised we needed a suspension system that was different to anything we'd produced before. With our design and development squarely focussed on the unique environment that is UK trail riding, we knew weather-proof reliability - a hereditary feature of our Quad-Link systems - was key, and there would be no compromising on frame geometry.

With that in mind, we went back to the drawing board.

It didn't take long to realise that with bigger wheels and full-suspension systems, the suspension kinematics, architectural layout of the frame, and the frame's geometry need to be designed in unison, with each small change having a knock-on effect elsewhere in the chain. Keeping the rear of the bike as compact and stiff as possible with the same dynamic ride of a 26in bike meant minimising the distance between the rear wheel and bottom bracket centres - a difficult task on a bigger wheeled bike but a cornerstone of the Whyte experience. After much head scratching and late night computer modelling, Quad 4 was born, and it changed the game, with Mountain Biking Australia proclaiming it had "pioneered a new era of progressive genre defining 29er full suspension bikes."

With our 2015 SCR/SCS bikes taking Quad-4 to the next level, the next new era is already here.





SCR/SCS LESS IS MORE

When Whyte first designed the T129 series, we found some innovative solutions to allow us to create a bike with short chainstays, 29in wheels, two chainrings and 120mm of suspension travel. The result was groundbreaking in 2012, and the T129 remains a benchmark for 29er trail bikes. But, for all that, we couldn't help thinking that given the growing acceptance of single-ring set-ups, there was potential to make it even better.

For 2015 Whyte is creating special Works SCR (Single Chain Ring) models within the T129, T-130 and G-150 ranges. By limiting these bikes to a single ring system, we have been able to broaden the main pivot, increasing stiffness and bearing life, and it has meant we can use symmetrical chainstays (SCS), another Whyte innovation that further increases stiffness and better resists the twisting loads that occur under pedalling. On the trail that translates to improved cornering confidence, better suspension performance, greater accuracy and less maintenance.

All the SCR bikes use SRAM's 11-speed drivetrains which pair a single ring with a wide ratio 10-42 cassette. In our experience over two years of testing, this set-up provides a sufficiently broad range of gears for experienced riders to comfortably climb most hills in the UK, and the performance advantages - lighter weight and the ability to create a SCR frame - are unarguable.

When we released the original T-129 we helped shape the market, creating the shortest chainstays of any production full-suspension 29er, with the launch of our SCR/SCS frames, we're taking things to the next level, all over again.



INTERGRIP INTERNAL SEAT POST CLAMP

The invention of reliable dropper seatposts has changed the way we ride - no longer do we find ourselves clumsily wrestling a quick release with frozen fingers at the top of a descent to drop our saddles out of harm's way, a simple push of a button or lever is all that's required.

With their widespread acceptance, it became clear to us that the days of the humble quick release (or even the seatpost collar) were numbered, so for 2015 we are introducing Intergrip, our new internal seat post clamping system into our T-129, T-130 and G-150 frames. Not only does it look neater, but with no split in the tube to allow for clamping, tolerances can be much tighter and water kept out of the frame for longer, no matter how British the conditions.

GETTA GRIP ADJUSTABLE SEAT POST CLAMP

Getta Grip has been developed from scratch to improve the way a seatpost is held in the frame. Traditional clamps need to bend the frame to grip the seat post and often bind after long periods of use, as the frame can no longer "remember" its original shape.

The Patented Getta Grip system takes a whole new approach using a pad that fits through a window in the frame - ideal for UK conditions as there is no open slot to let in mud and water. Because the Getta Grip seat clamp only has to hold the seatpost rather than bend the frame, less force is required to operate it. The clamping force is spread more evenly making it ideal for carbon posts and has been officially approved by Easton for use with all their seatposts.





G - 1 5 0

GRAVITY ENDURO / TRAIL SUSPENSION 650b/27.5"

Race proven at the UK Gravity Enduro and Enduro World Series, the G-150 has raised the bar for 150mm travel trail bikes. It's efficient on the climbs, but point it downhill and it really comes alive, the QUAD-4 suspension eating up technical terrain, while the 650b wheels roll over obstacles that would stall a 26in wheel bike.

For 2015 we have continued to build upon the extensive R&D and radical engineering that went into the first generation G-150, by creating all new symmetrical chainstays (SCS) that increases rear end stiffness, and using a brand new tube set for the front triangle which better resists torsional loads. Combine internal brake hose routing, our all new InterGrip seatpost clamping system and full compliment bearings, and you have a bike that is faster, stiffer, and more durable than ever before.

G-150 S
TYPICAL USAGE: GRAVITY ENDURO/TRAIL



Rockshox Pike RC fork, DebonAir shock and Reverb Stealth seatpost / WTB TCS 23mm wide rims and tubeless ready tyres / SRAM X1 11-speed drivetrain with SRAM Guide R brakes
650B / 27.5" 150MM SUSPENSION

G-150 WORKS
TYPICAL USAGE: GRAVITY ENDURO/TRAIL



SRAM Rail 50 wheels with tubeless ready Maxxis High Roller II tyres / SRAM XO1 drivetrain with SRAM Guide RSC brakes / Oversized Easton Haven 35mm bars and stem
650B / 27.5" 150MM SUSPENSION



T - 1 3 0

TRAIL SUSPENSION 650b/27.5"

New for 2015, the T-130 is the latest in a long and illustrious line of Whytes that let you go anywhere, ride anything and have maximum fun along the way. Boasting 130mm of QUAD-4 suspension travel, mid-sized 650b wheels and Whyte's groundbreaking trail bike geometry, the T-130 is fast and fun on the trails you ride from your front door, whilst never feeling out of its depth when you travel further afield, be it to the trail centres of Wales and Scotland or even the Alps. Whyte's mission has always been to build bikes that benefit riders in the real world, and with the T-130 SX available in an extra small configuration, we're making the benefits of the 650b wheel size available to shorter riders. However you like to ride, in the T-130 you'll discover a bike that's as versatile as a Swiss army knife, and that quickly becomes a trusted companion for a lifetime of adventure, wherever the trail takes you.

T-130 SX
TYPICAL USAGE: TRAIL



Available in XS size for shorter riders / Shimano Deore/SLX 2x10spd drivetrain / X-Fusion dropper post for saddle height adjustment on the fly
650B / 27.5" 130MM SUSPENSION

T-130 S
TYPICAL USAGE: TRAIL



Rockshox Revelation RL fork, Monarch DebonAir shock and Reverb Stealth seatpost / SRAM 2x10spd drivetrain / Tubeless ready WTB rims and tyres
650B / 27.5" 130MM SUSPENSION



T-130 WORKS SCR
TYPICAL USAGE: TRAIL



SCR/SCS frame with symmetrical chainstays for increased stiffness / SRAM X-1 11-speed drivetrain / Rockshox Pike fork, Monarch Debonair shock and Reverb Stealth seatpost
650B / 27.5" 130MM SUSPENSION



TRAIL HARDTAILS

130MM 650b/27.5"

When we redesigned our trail hardtails for 2014, we took the opportunity to start with a completely clean slate. Basing the new models around the intermediate 650b wheel size, known for its increased traction and roll-over ability compared to the old 26in standard, we took everything we'd learnt building our award winning full-suspension bikes and introduced some seriously radical geometry to the hardtail market.

On paper, people had their doubts; on the trail though, it made perfect sense. With their long front ends, short chainstays, low bottom brackets and slack head angles, these bikes are faster, more confident and more fun than any hardtail has a right to be. The testers agree, with MBR awarding the 905 a perfect 10, and What Mountain Bike summing it up by saying: "Whichever option you pick from Whyte's new 650b Trail Hardtail range, you're onto a winner."

We couldn't put it better ourselves.

901
TYPICAL USAGE: TRAIL



Lightweight and stiff 6061 aluminium frame / Rockshox Sektor Gold fork / Whyte custom 750mm bar and size specific stem / Maxxis Ardent tyres

TRAIL HARDTAIL 650B / 27.5"

905
TYPICAL USAGE: TRAIL



Rockshox Revelation RL fork / UK-made Hope Evo rear hub / Whyte custom 750mm bar and size specific stem / Maxxis Ardent tyres

TRAIL HARDTAIL 650B / 27.5"



909
TYPICAL USAGE: TRAIL



Award winning Rockshox Pike RC fork / SRAM 1x11 X-1 drivetrain / UK-made Hope Evo rear hub / Ultra reliable and powerful Shimano XT brakes / unique dropout system for geometry adjustment

TRAIL HARDTAIL 650B / 27.5"



T - 1 2 9

120MM XC/TRAIL SUSPENSION 29ER

With more awards to its name than any bike we've ever made, including the coveted Trail Bike of the Year award in 2013, there's little to say about the T-129 that hasn't been said before.

Key to the bike's success is its enviable geometry and the shortest chainstays in the industry. Those factors combine to create a 29er that retains all the renowned mile-munching ability of the large wheel size whilst adding a previously unseen degree of fun.

Riders considering a move to a single-ring groupset will love the new for 2015, range-topping Works SCR option. Sporting super-stiff symmetrical chainstays and restricted to a single chain ring, the Works SCR is a viable short travel enduro machine for riders who love to go fast downhill, uphill, and everywhere in between.

T-129 S
TYPICAL USAGE: XC/TRAIL



Rockshox Reverb Stealth seatpost, Reba RL fork and Monarch Debonair shock / SRAM 2x10spd drivetrain inc X-9 rear mech / WTB tubeless ready rims and tyres
120MM SUSPENSION 29ER

T-129 WORKS
TYPICAL USAGE: XC/TRAIL



Shimano XT 2x10spd drivetrain / Fox Float 32 CTD Fit fork and Float Performance with Boost Valve shock / Rockshox Reverb Stealth seatpost
120MM SUSPENSION 29ER



T-129 WORKS SCR
TYPICAL USAGE: XC/TRAIL



SCR frame has Symmetrical Chainstays (SCS) for increased stiffness / Rockshox Pike fork, Monarch DebonAir shock and Reverb Stealth seatpost / SRAM X-1 11spd drivetrain
120MM SUSPENSION 29ER



X - 2 9 P E R F O R M A N C E H A R D T A I L S

29" XC/TRAIL

The X-29 series draws on all our progressive geometry ideas and puts them together in a great value range of aluminium hardtails.

Sharing the same geometry philosophy, the same 100mm of fork travel and the same 29in wheels as our flagship carbon fibre 29-C range, the X-29 series is one of the most confidence inspiring 29ers available, giving you a faster, more controlled ride. New for 2015 we've moved the rear disc brake to the chainstay which has allowed us to slim down the seatstays and further improve vertical compliance and comfort. We designed the X-29 with the UK climate in mind too: mud clearance is exceptional, the cables and brake hoses are routed through the frame to keep them working better for longer, and there are Crud Catcher mounts on the downtube to keep grit out of your teeth.

Whether your ambitions are to spend long days exploring byways and bridleways, to progress in cross country racing, or simply to get fit, you'll find a lot to love in the X-29 range.

529
TYPICAL USAGE: XC / TRAIL



6061 Hydro Formed T6 Aluminium frame / Fast rolling Maxxis Ikon tyres / Shimano 3x9spd drivetrain / Tektro Auriga hydraulic disc brakes
PERFORMANCE XC HARDTAIL 29ER

629
TYPICAL USAGE: XC / TRAIL



SRAM 2x10spd drivetrain / Rockshox XC-30 TK airsprung fork with 100mm of travel / Fast rolling Maxxis Ikon tyres
PERFORMANCE XC HARDTAIL 29ER



729
TYPICAL USAGE: XC / TRAIL



Rockshox Reba RL fork with Fast Black coating / SRAM X9 type 2 rear derailleur keeps the chain secure / Avid DB5 hydraulic disc brakes

PERFORMANCE XC HARDTAIL 29ER



X - 8 P E R F O R M A N C E H A R D T A I L

650b /27.5" XC/TRAIL

With a brand new frame for 2015, the X-8 series of cross country mountain bikes is better than ever before. By moving the rear disc brake to the chainstay, we've been able to slim down the seatstays to improve rear end comfort and trail compliance. We've also upped the ante when it comes to UK-specific design tweaks: internal cable and brake hose routing minimises mud build up and keeps your gears working better for longer; Crud Catcher mounts on the downtube keeps mud out of your eyes, and a forward facing seat slot keeps rear wheel spray out of the frame.

Available in standard or compact geometry, for riders with shorter proportions, all models share the same 650b wheels, which combine the fast rolling and terrain flattening abilities of 29er wheel with the agility of the 26in standard.

Whether you're riding with friends in the woods or lining up for a race, the X8 range is sure to deliver.

801
TYPICAL USAGE: XC / TRAIL



Shimano 3x9spd drivetrain provides gears for all terrain / Maxxis Ikon tyres roll fast and grip well / Rockshox XC-30 fork with Turn Key lockout
X-8 PERFORMANCE HARDTAIL 650B / 27.5"

805
TYPICAL USAGE: XC / TRAIL



Lightweight 6061 aluminium frame bristling with UK features / Rockshox XC-30 fork with Turn Key lockout / Tektro Gemini hydraulic disc brakes
X-8 PERFORMANCE HARDTAIL 650B / 27.5"

802 COMPACT
TYPICAL USAGE: XC / TRAIL



Compact geometry for riders with shorter proportions / Available in sizes extra small to medium / Shorter 170mm cranks as standard / Lightweight hydro formed aluminium frame
X-8 PERFORMANCE HARDTAIL 650B / 27.5"

806 COMPACT
TYPICAL USAGE: XC / TRAIL



Shimano Deore 3x10spd drivetrain / Compact geometry and sizing down to XS for smaller riders / Adjustable air-sprung Rockshox XC-30 suspension fork
X-8 PERFORMANCE HARDTAIL 650B / 27.5"



X - 6 S P O R T S H A R D T A I L

650b /27.5" XC/TRAIL

The new 600 series of hardtails brings the performance advantages of 27.5in wheels and Whyte's award winning off-road geometry to a new lower price point.

Based around the successful 2014 incarnation of our X8 frameset, the X6 range is primed for year round adventure with design features tailored to the British climate, such as bountiful mud clearance, continuous cable outers for smooth gear shifting and improved cable life and Crud-Catcher mounts to keep the grit out of your teeth.

Combined with custom-drawn tubing to aid comfort and give the perfect ride feel, the 600 series is the ideal entry point into the world of mountain biking. The only thing missing is you.

603
TYPICAL USAGE: XC / TRAIL



Lightweight aluminium frame with internal cable routing / SR Suntour suspension with lockout feature / Tektro Auriga hydraulic disc brakes
X-6 SPORTS HARDTAIL 650B / 27.5"

604 COMPACT
TYPICAL USAGE: XC / TRAIL



Lightweight aluminium frame with compact geometry for shorter riders / 100mm travel SR Suntour suspension fork / Tektro Auriga hydraulic disc brakes
X-6 SPORTS HARDTAIL 650B / 27.5"



605
TYPICAL USAGE: XC / TRAIL



SR Suntour XCM suspension fork with aluminium steerer tube to save weight / Shimano 3x9spd drivetrain / Lightweight aluminium frame with internal cable routing
X-6 SPORTS HARDTAIL 650B / 27.5"



X - 4 : K I D ' S P E R F O R M A N C E H A R D T A I L 26" XC/TRAIL

If there's one thing we've learnt over recent years, it's that bigger wheels roll better over obstacles than smaller wheels. It's the same for kids as it is for adults: when you're not getting hooked up on rocks and roots all the time you're more confident, you ride faster and you have more fun. So when we came to design a mountain bike for 9-13 year olds, we took the plunge and went for full-size 26in wheels, rather than the 24in wheels more typical of this category. The result? A boost in performance similar to an adult going from 26 to 29in wheels, with more confidence, more control and easier, safer riding. And thanks to the ubiquity of the 26in format, upgrading is as easy as raiding Mum and Dad's spares cupboard!

401
TYPICAL USAGE: XC/TRAIL



SRAM 1x10 drivetrain with X0 GripShift shifter and Type 2 rear mech to keep the chain in place / SR Suntour Raidon fork with adjustable air spring to tailor to rider weight / Fast rolling Continental Race King tyres

KID'S PERFORMANCE HARDTAIL





M - 1 0 9 C

100MM CARBON CROSS COUNTRY SUSPENSION 29ER

It took one ride on an early hand built prototype of the M-109 to know we were on to something. Minutes, not seconds, came tumbling from our times on benchmark test loops, and yet, the grins told us this bike wasn't all about XC speed - it was a blast to ride too.

At its heart, the M-109 is a true endurance XC bike - comfortable, predictable and fast - but thanks to Whyte's progressive geometry, short chainstays and QUAD-4 suspension layout, it knows how to have fun too. With its low weight, incredible traction and race-winning confidence, it will make you want to ride further, faster, and more often. Loved by magazine testers and our own sponsored athletes, the M-109 is the cross country bike that wants to be ridden hard on race days, and every other day of the week too.

M-109 CS
TYPICAL USAGE: CROSS COUNTRY / RACE



Light and stiff Whyte XC-209-Carbon Wheelset / Shimano XT brakes and drivetrain / Fox Float 32 Performance fork with CTD Adjust and FIT and Float Performance rear shock with Boost Valve

100MM SUSPENSION 29ER

M-109 C TEAM
TYPICAL USAGE: CROSS COUNTRY / RACE



Shimano XTR 2x11 speed drivetrain / Fox Float 32 Factory fork with CTD Adjust and FIT and Float Factory rear shock with Boost Valve / Light and stiff Whyte XC-209-Carbon Wheelset

100MM SUSPENSION 29ER



29 - C CARBON PERFORMANCE HARDTAIL 29" XC/RACE

When it comes to carbon fibre, we're proud to admit we're control freaks. We oversee every stage of the process, from developing special combinations of filament grades and resins, to working with the world's leading carbon manufacturers to ensure that the best materials are assembled in the best possible way, using the very best design.

Proven by our XC race teams, the 29C is an unashamed race weapon: light, stiff, aggressive and fast. And thanks to Whyte's innovative geometry, in the 29C you'll discover a bike that is more surefooted than the competition when the terrain is technically challenging.

With an emphasis on lightweight wheels - an essential for 29er performance - and race-ready components, all you need to add is your race number and get ready for the flag to drop.

29-C
TYPICAL USAGE: CROSS COUNTRY / RACE



Rockshox Reba RL fork with 100mm travel and Fast Black coating / 15mm bolt thru hub for increased stiffness / Shimano Deore/SLX 2x10 speed transmission
100MM CARBON HARDTAIL

29-C S
TYPICAL USAGE: CROSS COUNTRY / RACE



Light and stiff Whyte XC-209-Carbon Wheelset / Shimano XT brakes and drivetrain / Fox Float 32 Performance fork with CTD Adjust and FIT
100MM CARBON HARDTAIL



29-C TEAM
TYPICAL USAGE: CROSS COUNTRY / RACE



Rockshox RS1 inverted XC fork / SRAM XX1 1x1spd drivetrain / SRAM Guide Ultimate brakes / Easton EC-70 seatpost and 720mm handlebar
100MM CARBON HARDTAIL



CX: CYCLOCROSS

CX RACE/ALL TERRAIN

When we first came to produce a range of cyclocross bikes, we knew that whatever we designed would look, and ride, like no other cross bike on the market. We're well known for our confidence inspiring mountain bike geometry, so the lessons learned developing that formula became our starting point: the result is a cyclocross bike that is more capable in all off-road situations than any drop bar bike you've ever ridden.

For 2015, we continue with a theme of evolution: the slacker than usual headangles, short stems and long front centres remain unchanged, but this year both bikes get hydraulic disc brakes, with the Saxon Cross Team using SRAM's 1x11 Force CX groupset, a direct development from mountain biking. Whether you're looking to race cross at the highest level, or simply want the most versatile bike available, Whyte's CX series will help you cover the broadest spread of terrain as fast as possible, having maximum fun along the way.

SAXON CROSS
TYPICAL USAGE: CX / ALL TERRAIN



SRAM SB700 hydraulic disc brakes / SRAM X-9 Type 2 rear derailleur keeps the chain secure / WTB tubeless ready rims and CrossWolfCX tyres

CYCLOCROSS

SAXON CROSS TEAM
TYPICAL USAGE: CX / ALL TERRAIN



SRAM Force CX 1x11spd drivetrain and hydraulic disc brakes / Easton EA90 XD UST wheelset / Easton EC-90 full carbon disc fork

CYCLOCROSS



LIGHTWEIGHT CLASSIC LADIES

COMFORT AND STYLE

The Strawberry Hill is Whyte's take on a stylish, comfortable, lifestyle bike. Combining the elegance of a vintage machine with all the technical solutions you'd expect from Whyte, we've concealed a 30-speed Shimano drivetrain behind a full chain guard, and full-length mud-guards keep you as clean and dry as possible, whatever the weather has in store. Meanwhile, you'll appreciate the Strawberry Hill's triple-butted aluminium frame for both its comfort and light weight, making it even easier to get up the hills, or just to lift up the stairs when you get home.



STRAWBERRY HILL LADIES



Full-length mud-guards / Shimano 3x10spd drivetrain / Full chain guard / Powerful V-brakes / Lightweight and comfortable Selle Royal Milo saddle

LIGHTWEIGHT CLASSIC



C7: ALL TERRAIN SERIES

VERSATILITY WITH COMFORT AND STYLE

Adventure doesn't have to mean scaling mountains or backpacking across a continent - it can be as simple as getting out for a bike ride in the lull between summer thunderstorms, or leaving the map at home and seeing where you end up. Whyte's C7 series of all-terrain bikes are the perfect companions on any such adventures: with low pressure tyres that don't need pumping up before each ride and full-length gear cable outers that keeps the grime out and the gears shifting smoothly, these are bikes that are ready to go when you are, complete with all the advantages of Whyte's confidence inspiring geometry and legendary ride quality.

FAIRFIELD LADIES
TYPICAL USAGE: ALL TERRAIN



Partially dropped top tube is stronger than a fully dropped frame / Maxxis Roamer tyres with puncture protection / Wide-ratio Shimano gearing

C7 ALL TERRAIN SERIES

RIDGEWAY LADIES
TYPICAL USAGE: ALL TERRAIN



SR Suntour suspension fork irons out bumps / Partially dropped top tube is stronger than a fully dropped frame / Shimano 3x9spd gearing / Powerful Tektro hydraulic disc brakes

C7 ALL TERRAIN SERIES

MALVERN LADIES
TYPICAL USAGE: ALL TERRAIN



SR Suntour suspension fork irons out bumps and is lightweight thanks to an alloy steerer tube / Powerful and reliable Shimano disc brakes / Lightweight aluminium frame with partially dropped top tube

C7 ALL TERRAIN SERIES

CALEDONIAN LADIES
TYPICAL USAGE: ALL TERRAIN



Wide-ratio 3x10spd Shimano Deore/LX gearing / Lightweight aluminium frame with partially dropped top tube / Vittoria Randonneur tyres with double puncture protection

C7 ALL TERRAIN SERIES

RIDGEWAY
TYPICAL USAGE: ALL TERRAIN



SR Suntour suspension fork irons out bumps / Lightweight aluminium frame / Shimano 3x9spd gearing / Reliable Tektro hydraulic disc brakes

C7 ALL TERRAIN SERIES

FAIRFIELD
TYPICAL USAGE: ALL TERRAIN



Lightweight aluminium frame / Maxis Roamer tyres with puncture protection / Wide-ratio Shimano gearing / Powerful V-brakes

C7 ALL TERRAIN SERIES

MALVERN
TYPICAL USAGE: ALL TERRAIN



SR Suntour suspension fork irons out bumps and is lightweight thanks to an alloy steerer tube / Powerful and reliable Shimano disc brakes / Lightweight aluminium frame
C7 ALL TERRAIN SERIES

CALEDONIAN
TYPICAL USAGE: ALL TERRAIN



Wide-ratio 3x10spd Shimano Deore/LX gearing / Lightweight aluminium frame / Vittoria Randonneur tyres with double puncture protection
C7 ALL TERRAIN SERIES



R 7 : F A S T U R B A N S E R I E S F L A T B A R C O M M U T E R

Mountain bikes and road-going bikes typically have wildly differing geometry. Why? We've never found a good answer to that question. Our R7 series commuter bikes incorporate many of the design principles that distinguish our award winning mountain bikes, such as a long wheelbase and relaxed head angle for high speed stability, and a shorter stem for excellent low speed manoeuvrability. It works in the woods and it works on the city's pot-holed streets too.

Hydraulic disc brakes offer low-maintenance and high performance, puncture-resistant tyres ensure you get to work on time, and internal cable routing maximises these bikes' clean, uncluttered appearance.

A Great British concept for the greatest of British commutes.

WHITECHAPEL
TYPICAL USAGE: URBAN COMMUTER



Reliable Tektro hydraulic disc brakes / 1x9spd Shimano drivetrain for urban simplicity / Lightweight aluminium frame
R7 FAST URBAN SERIES

CARNABY WOMEN'S
TYPICAL USAGE: URBAN COMMUTER



Reliable Tektro hydraulic disc brakes / 1x9spd Shimano drivetrain for urban simplicity / Lightweight aluminium frame with compact geometry
R7 FAST URBAN SERIES

SHOREDITCH
TYPICAL USAGE: URBAN COMMUTER



Lightweight aluminium frame / 1x10spd Shimano mountain bike gearing for city-proof performance / Reliable and powerful Tektro hydraulic disc brakes

R7 FAST URBAN SERIES

VICTORIA WOMEN'S
TYPICAL USAGE: URBAN COMMUTER



Lightweight aluminium frame with compact geometry / Shimano 2x9spd drivetrain / Maxxis Detonator tyres with puncture protection

R7 FAST URBAN SERIES

PORTOBELLO
TYPICAL USAGE: URBAN COMMUTER



Lightweight aluminium frame with carbon fibre fork / Shimano 2x9spd drivetrain / Maxxis Detonator tyres with puncture protection

R7 FAST URBAN SERIES

PIMLICO WOMEN'S
TYPICAL USAGE: URBAN COMMUTER



Lightweight aluminium frame with compact geometry / Carbon fibre fork with alloy steerer tube / SRAM 2x10spd compact gearing / Tektro hydraulic disc brakes

R7 FAST URBAN SERIES

CAMBRIDGE
TYPICAL USAGE: URBAN COMMUTER



Carbon fibre fork with lightweight aluminium steerer tube / Lightweight aluminium frame with compact geometry / SRAM's Via Centro 2x10spd urban drivetrain
R7 FAST URBAN SERIES

STIRLING
TYPICAL USAGE: URBAN COMMUTER



SRAM Via GT urban groupset / lightweight aluminium frame and carbon fibre fork / Powerful Tektro Gemini hydraulic disc brakes
R7 FAST URBAN SERIES



MONTPELLIER
TYPICAL USAGE: URBAN COMMUTER



Full carbon frame is 300g lighter than aluminium / SRAM Via GT urban groupset inc hydraulic disc brakes / lightweight carbon fibre fork

R7 FAST URBAN SERIES



RD - 7 : ROAD DISC DROP BAR COMMUTER/ANYROAD

The RD-7 series of drop bar bikes are an exercise in versatility: fast but robust; comfortable but competitive; ready for anything. Got a 10 mile commute to work? The RD-7 is the perfect partner. Need a winter training bike? This is the bike for you. Touring? You bet. Fancy an American style gravel grinder? With clearance for even bigger tyres, we've got that base covered too.

All bikes come with disc brakes for efficient, powerful braking whatever the conditions, and new for 2015, the carbon fibre Cornwall comes with SRAM's fully hydraulic SB700 brakes. Combined with comfortable 28mm tyres and endurance geometry, these are bikes for road riders with a sense of adventure. If that sounds like you, look no further than the RD-7.

SOMERSET WOMEN'S
TYPICAL USAGE: COMMUTER / ANYROAD



Lightweight disc-specific aluminium frame with alloy fork / Shimano 9spd compact gearing with wide range rear cassette / Powerful mechanical disc brakes

RD-7 ROAD DISC

DEVON WOMEN'S
TYPICAL USAGE: COMMUTER / ANYROAD



Disc-specific aluminium frame with carbon fibre fork / TRP HyRd mechanical/hydraulic disc brakes / Shimano Sora 9spd compact gearing with wide range rear cassette

RD-7 ROAD DISC

SUSSEX
TYPICAL USAGE: COMMUTER / ANYROAD



Lightweight disc-specific aluminium frame with alloy fork / Shimano 9spd compact gearing with wide range rear cassette / Powerful mechanical disc brakes
RD-7 ROAD DISC

DORSET
TYPICAL USAGE: COMMUTER / ANYROAD



Disc-specific aluminium frame with carbon fibre fork / TRP HyRd mechanical/hydraulic disc brakes / Shimano Sora 9spd compact gearing with wide range rear cassette
RD-7 ROAD DISC

SUFFOLK
TYPICAL USAGE: COMMUTER / ANYROAD



Shimano 105 11-speed drivetrain / Powerful TRP HyRd mechanical/hydraulic disc brakes / Full-carbon fork with alloy steerer tube
RD-7 ROAD DISC

CORNWALL
TYPICAL USAGE: COMMUTER / ANYROAD



Uni-directional multi-monocoque carbon frame with carbon fork / SRAM SB700 fully hydraulic disc brakes / SRAM Rival rear mech
RD-7 ROAD DISC



R R D C A R B O N R O A D D I S C H I G H P E R F O R M A N C E R O A D

New for 2015, the RRD platform takes everything we learned in the development of the versatile RD7 series, and applies that knowledge to a thoroughbred road bike.

With more aggressive geometry than the RD7, the RRD will appeal to sportive riders and fast club riders, particularly those who dream of riding in the high mountains, where the added performance of disc brakes will see you out-braking your rivals into every hairpin, whatever the conditions.

The uni-directional carbon fibre frame incorporates skinny seat stays and a 27.2mm seat post to maximise comfort, while a full-carbon fork with a tapered steerer tube guarantees precise steering.

Both bikes in the range use the latest hydraulic disc brakes from SRAM and Shimano, with all brake hoses and gear cables routed internally. From your local roads to the most gruelling European sportives, the RRD series has all the comfort, confidence, and raw speed you'll need.

STOWE RIVAL
TYPICAL USAGE: SPORTIVE/CLUB



Uni-directional multi-monocoque carbon frame with carbon fork / SRAM Rival 11spd drivetrain / SRAM Rival hydraulic disc brakes with 160mm rotors.

RRD-FAST ROAD SERIES

STOWE ULTEGRA
TYPICAL USAGE: SPORTIVE/CLUB



Shimano Ultegra 11spd groupset including Ultegra full-hydraulic disc brakes / Uni-directional multi-monocoque carbon frame with carbon fork / Whyte Road Disc carbon wheelsset.

RRD-FAST ROAD SERIES



WHYTE PARTS AND ACCESSORIES



Upgrade your bike with Whyte Parts and Accessories

Whyte have carefully selected parts and accessories that we are confident will improve your riding experience, offering performance, quality and dare we say it, style. Manufactured by leaders in their field, you can be sure any part that carries the Whyte brand logo has been tried and tested and offers best of breed performance.

For a full list of Whyte parts and accessories please visit: whyte.bike

WHYTE FRAME GEOMETRY

When we talk about a bicycle's geometry, we're talking about the angles and measurements that determine where the rider is positioned between the wheels, and how the bike connects with the ground. It might sound dull, but it's something we get very excited about at Whyte, and with good reason: more than the components or the frame material, a bike's geometry defines the way it rides. We believe our geometry is the best out there and what sets Whyte apart from the competition in every category. Judging by the reviews, we're right.

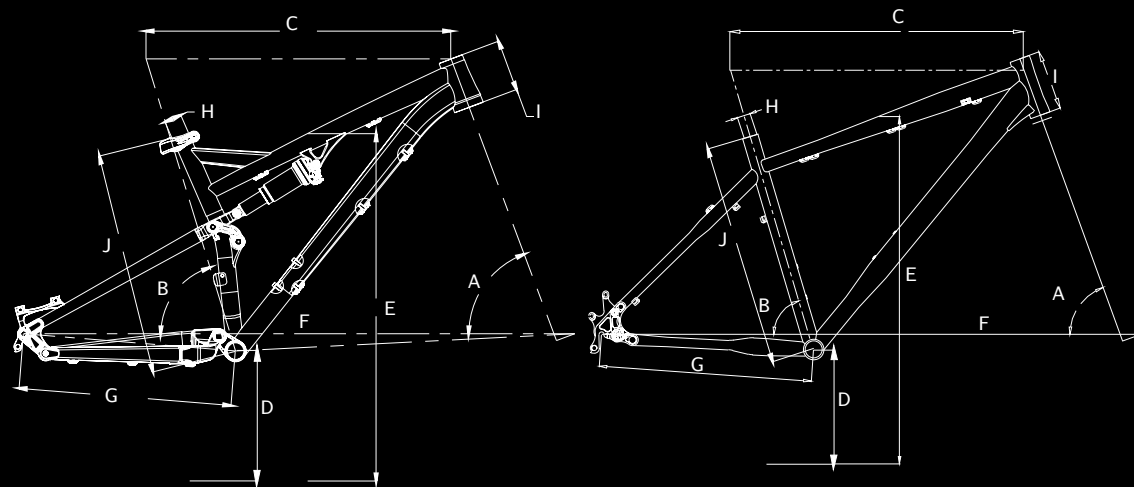
The Whyte formula has been 15 years in the making: it's a formula that inspires confidence in beginners and casual cyclists alike, whilst allowing our expert race teams to perform to the absolute limits of their ability. As such, confidence is our ultimate goal when we're designing a bike: whether you're cruising the city's pot-holed streets to get to work or competing at the highest level, we want you to feel secure that you're in charge and not the bike.

We achieve this by combining a relaxed head angle (the angle the front fork comes out of the frame) with a longer than average front centre to create a bike that is stable at speed and feels predictable, especially when the terrain gets steeper. To sharpen up the steering response for low-speed precision we spec wide handlebars and short stems. At the back of the bike, we always aim to make the chainstays as short as physically possible to maximise the bike's agility, making it easier to do everything from popping up curbs to boosting through the gnarliest trail obstacles.

It's a formula that works in all situations, whatever your ambitions and whatever your level of skill. Simply put, geometry can make or break a bike: with Whyte's unique approach, we've ensured you'll get maximum enjoyment from every ride.

Our geometry is explained below. For sizing information please visit our website at whyte.bike

- A Head Angle
- B Seat Angle
- C Top Tube
- D BB Height
- E Stand Over
- F Wheel Base
- G Chain Stay
- H Seat Post
- I Head tube length
- J Seat tube length



G-150 S SCR G-150 Works SCR										
Frame Size	A	B	C	D	E	F	G	H	I	J
S	66.5°	74.7°	594mm	343mm	808mm	1154mm	425mm	30.9mm	95mm	406mm
M	66.5°	74.5°	608mm	343mm	816mm	1169mm	425mm	30.9mm	110mm	445mm
L	66.5°	74.3°	628mm	343mm	823mm	1189mm	425mm	30.9mm	120mm	483mm
T-130 SX T-130 S T-130 Works SCR										
Frame Size	A	B	C	D	E	F	G	H	I	J
XS	67.5°	74.1°	549mm	331mm	761mm	1087mm	420mm	30.9mm	100mm	368mm
S	67.5°	73.8°	574mm	331mm	763mm	1112mm	420mm	30.9mm	107mm	406mm
M	67.5°	73.5°	594mm	331mm	766mm	1132mm	420mm	30.9mm	115mm	445mm
L	67.5°	73.3°	609mm	331mm	776mm	1147mm	420mm	30.9mm	130mm	483mm
901 905										
Frame Size	A	B	C	D	E	F	G	H	I	J
S	66.5°	73°	599mm	305mm	777mm	1119mm	425mm	30.9mm	110mm	406mm
M	66.5°	73°	618mm	305mm	805mm	1139mm	425mm	30.9mm	120mm	455mm
L	66.5°	73°	635mm	305mm	832mm	1169mm	425mm	30.9mm	140mm	491mm
XL	66.5°	73°	654mm	305mm	861mm	1189mm	430mm	30.9mm	150mm	533mm
909										
Frame Size	A	B	C	D	E	F	G	H	I	J
S	66.2- 66.8°	72.7- 73.3°	599mm	305mm	785mm	1109 - 1129mm	415 - 435mm	30.9mm	110mm	406mm
M	66.2- 66.8°	72.7- 73.3°	618mm	305mm	801mm	1129 - 1149mm	415 - 435mm	30.9mm	120mm	455mm
L	66.2- 66.8°	72.7- 73.3°	635mm	305mm	830mm	1149 - 1169mm	415 - 435mm	30.9mm	140mm	491mm
T-129 S T-129 Works										
Frame Size	A	B	C	D	E	F	G	H	I	J
S	68°	74.3°	576mm	343mm	808mm	1125mm	431mm	30.9mm	100mm	406mm
M	68°	74°	596mm	343mm	813mm	1145mm	431mm	30.9mm	100mm	445mm
L	68°	73.8°	610mm	343mm	818mm	1160mm	431mm	30.9mm	110mm	483mm
XL	68°	73.5°	625mm	343mm	823mm	1175mm	431mm	30.9mm	120mm	521mm
T-129 Works SCR										
Frame Size	A	B	C	D	E	F	G	H	I	J
M	68°	74°	617mm	335mm	805mm	1165mm	431mm	30.9mm	100mm	445mm
L	68°	73.8°	637mm	335mm	810mm	1185mm	431mm	30.9mm	110mm	483mm
XL	68°	73.5°	657mm	335mm	815mm	1205mm	431mm	30.9mm	120mm	521mm

529 629 729										
Frame Size	A	B	C	D	E	F	G	H	I	J
S	68.5°	73°	600mm	305mm	805mm	1113mm	440mm	30.9mm	110mm	432mm
M	68.5°	73°	615mm	305mm	820mm	1128mm	440mm	30.9mm	115mm	470mm
L	68.5°	73°	629mm	305mm	832mm	1143mm	440mm	30.9mm	120mm	521mm
801 805										
Frame Size	A	B	C	D	E	F	G	H	I	J
S	68.5°	73.5°	594mm	304mm	779mm	1107mm	435mm	30.9mm	115mm	406mm
M	68.5°	73.5°	608mm	304mm	797mm	1123mm	435mm	30.9mm	125mm	444mm
L	68.5°	73°	628mm	304mm	822mm	1137mm	435mm	30.9mm	135mm	483mm
XL	68.5°	73°	639mm	304mm	851mm	1149mm	435mm	30.9mm	145mm	533mm
802 Compact 806 Compact										
Frame Size	A	B	C	D	E	F	G	H	I	J
XS	68.5°	74°	571mm	304mm	776mm	1089mm	435mm	30.9mm	107mm	381mm
S	68.5°	73.5°	586mm	304mm	784mm	1099mm	435mm	30.9mm	115mm	406mm
M	68.5°	73.5°	600mm	304mm	804mm	1114mm	435mm	30.9mm	125mm	444mm
603 605										
Frame Size	A	B	C	D	E	F	G	H	I	J
S	68.5°	73.5°	594mm	304mm	779mm	1107mm	435mm	30.9mm	115mm	406mm
M	68.5°	73.5°	608mm	304mm	797mm	1123mm	435mm	30.9mm	125mm	444mm
L	68.5°	73°	628mm	304mm	822mm	1137mm	435mm	30.9mm	135mm	483mm
XL	68.5°	73°	639mm	304mm	851mm	1149mm	435mm	30.9mm	145mm	533mm
604 Compact										
Frame Size	A	B	C	D	E	F	G	H	I	J
XS	68.5°	74°	571mm	304mm	776mm	1089mm	435mm	30.9mm	107mm	381mm
S	68.5°	73.5°	586mm	304mm	784mm	1099mm	435mm	30.9mm	115mm	406mm
M	68.5°	73.5°	600mm	304mm	804mm	1114mm	435mm	30.9mm	125mm	444mm
401										
Frame Size	A	B	C	D	E	F	G	H	I	J
13"	68.5°	74°	563mm	305mm	714mm	1076mm	425mm	30.9mm	100mm	331mm
M-109 CS M-109 C Team										
Frame Size	A	B	C	D	E	F	G	H	I	J
M	69.5°	74°	599mm	335mm	797mm	1125mm	432mm	30.9mm	105mm	445mm
L	69.5°	73.8°	614mm	335mm	807mm	1140mm	432mm	30.9mm	115mm	483mm

Geometry details were correct at the time of printing. However, product changes may occur after this time. Please check model availability and full geometry details with your dealer prior to ordering.

29-C 29-CS 29-C Team										
Frame Size	A	B	C	D	E	F	G	H	I	J
S	69.3°	72.8°	612mm	304mm	789mm	1117mm	438mm	30.9mm	100mm	431mm
M	69.3°	72.8°	627mm	304mm	809mm	1128mm	438mm	30.9mm	110mm	470mm
L	69.3°	72.8°	641mm	304mm	844mm	1145mm	438mm	30.9mm	120mm	521mm
Saxon Cross Saxon Cross Team										
Frame Size	A	B	C	D	E	F	G	H	I	J
52cm	70°	74°	560mm	280mm	800mm	1050mm	430mm	27.2mm	145mm	520mm
54cm	70°	73.5°	575mm	280mm	814mm	1060mm	430mm	27.2mm	160mm	540mm
56cm	70°	73°	589mm	280mm	830mm	1075mm	435mm	27.2mm	175mm	560mm
58cm	70°	73°	598mm	280mm	845mm	1085mm	435mm	27.2mm	190mm	533mm
Strawberry Hill Ladies										
Frame Size	A	B	C	D	E	F	G	H	I	J
S	68°	74.5°	537mm	288mm	663mm	1066mm	445mm	30.9mm	130mm	432mm
M	69°	74°	563mm	288mm	686mm	1080mm	445mm	30.9mm	160mm	457mm
L	69°	73.5°	587mm	288mm	677mm	1100mm	445mm	30.9mm	180mm	495mm
Fairfield Ladies										
Frame Size	A	B	C	D	E	F	G	H	I	J
S	69°	74.5°	547mm	288mm	712mm	1066mm	445mm	30.9mm	130mm	432mm
M	69°	74.0°	563mm	288mm	735mm	1080mm	445mm	30.9mm	160mm	457mm
L	69°	73.5°	587mm	288mm	761mm	1100mm	445mm	30.9mm	180mm	495mm
Ridgeway Ladies Malvern Ladies Caledonian Ladies										
Frame Size	A	B	C	D	E	F	G	H	I	J
S	68°	74.5°	557mm	288mm	728mm	1083mm	435mm	30.9mm	107mm	432mm
M	69°	74°	584mm	288mm	747mm	1095mm	435mm	30.9mm	115mm	457mm
L	69°	73.5°	609mm	288mm	767mm	1105mm	435mm	30.9mm	125mm	495mm
Caledonian Malvern Ridgeway										
Frame Size	A	B	C	D	E	F	G	H	I	J
S	69°	74°	589mm	288mm	784mm	1101mm	435mm	30.9mm	115mm	457mm
M	69°	73.5°	614mm	288mm	815mm	1121mm	435mm	30.9mm	125mm	495mm
L	69°	73°	629mm	288mm	842mm	1131mm	435mm	30.9mm	135mm	546mm
XL	69°	73°	644mm	288mm	864mm	1146mm	435mm	30.9mm	145mm	585mm
Fairfield										
Frame Size	A	B	C	D	E	F	G	H	I	J
S	69°	74°	563mm	288mm	773mm	1080mm	445mm	30.9mm	160mm	457mm
M	69°	73.5°	587mm	288mm	798mm	1100mm	445mm	30.9mm	180mm	495mm
L	69°	73.5°	605mm	288mm	838mm	1120mm	445mm	30.9mm	200mm	546mm

Cambridge Carnaby Women's Pimlico Women's Portobello Shoreditch Stirling Whitechapel										
Frame Size	A	B	C	D	E	F	G	H	I	J
S	69.5°	74°	568mm	272mm	722mm	1052mm	420mm	27.2mm	145mm	406mm
M	70°	73.5°	596mm	272mm	754mm	1069mm	420mm	27.2mm	165mm	445mm
L	70°	73°	613mm	272mm	786mm	1084mm	420mm	27.2mm	185mm	495mm
XL	70°	73°	627mm	272mm	817mm	1099mm	420mm	27.2mm	205mm	533mm
XXL	70°	72.5°	642mm	272mm	846mm	1114mm	425mm	27.2mm	225mm	584.2mm
Montpellier										
Frame Size	A	B	C	D	E	F	G	H	I	J
M	70°	73.5°	597mm	272mm	744mm	1069mm	420mm	27.2mm	140mm	445mm
L	70°	73°	616mm	272mm	776mm	1084mm	420mm	27.2mm	160mm	495mm
XL	70°	73°	623mm	272mm	804mm	1099mm	420mm	27.2mm	180mm	533mm
Devon Women's Somerset Women's										
Frame Size	A	B	C	D	E	F	G	H	I	J
47cm	71.5°	75°	507mm	269mm	721mm	985mm	425mm	27.2mm	115mm	470mm
49cm	74.5°	72°	515mm	272mm	743mm	985mm	425mm	27.2mm	130mm	490mm
51cm	72.5°	74°	525mm	272mm	777mm	985mm	425mm	27.2mm	145mm	510mm
53cm	73°	73.5°	535mm	272mm	794mm	985mm	425mm	27.2mm	160mm	530mm
Dorset Suffolk Sussex										
Frame Size	A	B	C	D	E	F	G	H	I	J
50cm	72°	74.5°	525mm	272mm	764mm	993mm	425mm	27.2mm	130mm	500mm
52cm	72.5°	74°	540mm	272mm	782mm	998mm	425mm	27.2mm	145mm	520mm
54cm	73°	73.5°	555mm	272mm	799mm	1003mm	425mm	27.2mm	160mm	540mm
56cm	73°	73°	570mm	272mm	815mm	1013mm	425mm	27.2mm	175mm	560mm
58cm	73°	73°	585mm	272mm	831mm	1028mm	425mm	27.2mm	190mm	580mm
Cornwall										
Frame Size	A	B	C	D	E	F	G	H	I	J
51cm	71.5°	72.5°	543mm	279mm	758mm	1005mm	430mm	27.2mm	120mm	510mm
54cm	72°	72.5°	553mm	279mm	788mm	1011mm	430mm	27.2mm	155mm	540mm
57cm	72°	72°	568mm	282mm	817mm	1022mm	430mm	27.2mm	180mm	570mm
60cm	72°	72°	593mm	281mm	843mm	1047mm	430mm	27.2mm	210mm	600mm
Stowe Rival Stowe Ultegra										
Frame Size	A	B	C	D	E	F	G	H	I	J
51cm	72.5°	73.5°	540mm	272mm	750mm	999mm	430mm	27.2mm	120mm	510mm
54cm	73°	73.5°	549mm	272mm	784mm	1005mm	430mm	27.2mm	155mm	540mm
57cm	73°	73°	566mm	274mm	808mm	1016mm	430mm	27.2mm	180mm	570mm

	Gravity Enduro 650b/27.5"		T-130 Trail Suspension 650b/27.5"	
Model	G-150 S	G-150 Works	T-130 SX	T-130 S
Colour	Matt Granite/Aqua & Lime	Matt Burnt Orange/Black	Matt Aqua/Lime	Matt Orange/Black
Sizes Available	S, M, L	S, M, L	XS, S, M, L	S, M, L
Frame	6061 T6 SCR Aluminium Front Triangle with Tapered Head Tube and Intergrip seat clamp, alloy symmetrical SCS rear Triangle	6061 T6 SCR Aluminium Front Triangle with Tapered Head Tube and Intergrip seat clamp, alloy symmetrical SCS rear Triangle	6061 T6 Aluminium Front Triangle with Tapered Head Tube and Intergrip seat clamp, alloy rear Triangle with 12mm E-Thru 142 dropouts	6061 T6 Aluminium Front Triangle with Tapered Head Tube and Intergrip seat clamp, alloy rear Triangle with Maxle 142 dropouts
Fork	RockShox Pike 27.5", RC, 150mm Travel, Fast Black coating, Tapered steerer and 15mm Maxle	RockShox Pike 27.5", RCT3, 150mm Travel, Fast Black coating, Tapered steerer and 15mm Maxle	SR Suntour Aion LO-R 27.5" CTS, 130mm Travel, Tapered steerer and 15QR	RockShox Revelation 27.5", RL, 130mm Travel, Fast Black coating, Tapered steerer and 15mm Maxle
Rear Shock	RockShox Monarch Debonair, RT3, Fast Black coating, Adjustable Rebound and Compression	RockShox Monarch Plus Debonair, RC3, Fast Black coating, Adjustable Rebound and Compression	Fox Float Performance with Boost Valve, Rebound Adjustment and CTD Adjust Compression	RockShox Monarch Debonair, RT3, Fast Black coating, Adjustable Rebound and Compression
Headset	FSA No. 57E Orbit ZS, 1.5" Cartridge Sealed Lower Bearing Lower and Cartridge Bearing 1 1/8" Upper Bearing	FSA No. 57E Orbit ZS, 1.5" Cartridge Sealed Lower Bearing Lower and Cartridge Bearing 1 1/8" Upper Bearing	FSA No. 57E Orbit ZS, 1.5" Cartridge Sealed Lower Bearing and 1 1/8" Upper Bearing	FSA No. 57E Orbit ZS, 1.5" Cartridge Sealed Lower Bearing Lower and 1 1/8" Upper Bearing
Rear Hub	Alloy, Double Sealed Cartridge Bearing Hub 12mm X 142mm Through Axle, 32 Hole	SRAM Rail 50, 12 x 142mm	Alloy, Double Sealed Cartridge Bearing Hub 12mm X 142mm Through Axle, 32	Alloy, Double Sealed Cartridge Bearing Hub 12mm X 142mm Through Axle, 32 Hole
Front Hub	Alloy, Double Sealed Cartridge Bearing Hub 15mm, 32 Hole	SRAM Rail 50, 15 x 100mm	Alloy, Double Sealed Cartridge Bearing Hub 15mm Through Axle, 32 Hole	Alloy, Double Sealed Cartridge Bearing Hub 15mm, 32 Hole
Spokes	WTB 2.0mm, Black Sandvik Stainless Steel Spokes	SRAM Rail 50, S1St Butted	WTB 2.0mm, Black Sandvik Stainless Steel Spokes, Brass Nipples	WTB 2.0mm, Black Sandvik Stainless Steel Spokes, Brass Nipples
Rims	WTB Frequency Race i23 Rims with TCS System, I-Beam technology, Tubeless Ready	SRAM Rail 50, 23mm wide 27.5", Full UST Rims	WTB Frequency Team i19 27.5" TCS System, I-Beam technology, Tubeless Ready, 32 Hole	WTB STi23 27.5" Rims with TCS System, Tubeless Ready
Tyres	WTB Vigilante AM TCS Light Fast Rolling 27.5 X 2.3" Folding Front, WTB Trail Boss TCS Tough Fast Rolling 27.5" X 2.25" Folding Rear	Maxxis High Roller II TR, 27.5" X 2.3" 60TPI 3C(Maxx Terra) Folding Bead, EXO Sidewall protection	WTB Beeline, TCS, Light Fast Rolling 27.5" X 2.2" Folding Bead	WTB Trail Boss, TCS Light Fast Rolling 27.5" X 2.25", Folding Front, WTB Beeline, TCS Light Fast Rolling 27.5" X 2.2", Folding Rear
Shift Levers	SRAM X-1, MMX Matchmaker, 11 Speed	SRAM X01, MMX Matchmaker, 11 Speed	Shimano Deore, I-Spec, 10 Speed, Black	SRAM X-9 MMX Matchmaker, 10 Speed
Front Derailleur	N/A	N/A	Shimano Deore, High Direct Mount, 10 Speed, Black	SRAM X-5, High Direct Mount, 10 Speed
Rear Derailleur	SRAM X-1, 11 Speed Alloy	SRAM X01, 11 Speed, Carbon	Shimano SLX Shadow Plus, 10 Speed	SRAM X-9, Type 2, 10 Speed
Cassette	SRAM XG-1180 10-42, 11 Speed	SRAM XG1195 10-42, 11 Speed	Shimano HG81 11-36, 10 Speed	SRAM PG-1030 11-36, 10 Speed
Chain	SRAM PCX1, 11 Speed	SRAM PCXX1, 11 Speed	Shimano HG54, 10 Speed	SRAM PC-1031, 10 Speed
Crankset	SRAM X1-1200 GXP, 32T, 11 Speed Alloy	SRAM X01 32T, 11 Speed	Race Face Ride, 36-22, 10 Speed, Compact Double	SRAM S1400 GXP, 36-22 29er Trail Ratio, Compact Double, 10 Speed
Bottom Bracket	SRAM GXP Team 73mm	SRAM GXP Team, 73mm	Race Face	SRAM GXP, 73mm
Seatpost	RockShox Reverb 125 Stealth, MMX MatchMaker, 30.9 X 380mm	RockShox Reverb Stealth 125mm, MMX Matchmaker, 30.9 X 380mm	X-Fusion HiLo 125mm Stealth, 30.9 X 380mm	RockShox Reverb 125mm Stealth, MMX Matchmaker, 30.9 X 380mm
Seat	Whyte Custom dual density, triple panel design	Fi'zi:k Gobi XM, Matt/Gloss, Mg Rails	Whyte Custom, dual density, triple panel design	Whyte Custom dual density, triple panel design
Bar	Whyte Custom Alloy, 15mm Rise, 750mm Wide	Easton Haven 35mm Oversize, 750mm wide	Whyte Custom Alloy, 15mm Rise, 750mm Wide	Whyte Custom Alloy, 15mm Rise, 750mm Wide
Stem	Whyte Gravity Stem, 50mm	Easton Haven, 35mm Oversize, 50mm long	Whyte Gravity Stem, 50mm XS, 60mm S, 70mm M & L	Whyte Gravity Stem, 60mm S, 70mm M/L
Grips	Whyte Lock-on	Whyte Lock-on	Whyte Lock-on	Whyte Lock-on
Front Brake	SRAM Guide R, 4 Pots, 180mm Rotor, Internal Routing	SRAM Guide RSC, 4 Pots, 180mm Rotor, Internal Routing	Shimano M-615, 180mm Rotor, Internal Routing	Avid DB5, 180mm Rotor, Internal Routing
Rear Brake	SRAM Guide R, 4 Pots, 170mm Rotor, Internal Routing	SRAM Guide RSC, 4 Pots, 170mm Rotor, Internal Routing	Shimano M-615, 160mm Rotor, Internal Routing	Avid DB5, 160mm Rotor, Internal Routing
Brake Levers	SRAM Guide R, MMX Matchmaker	SRAM Guide RSC MMX Matchmaker	Shimano M-615, I-Spec	Avid DB5 MMX Matchmaker
Pedals	None	None	None	None

Specification details were correct at the time of printing. However, product changes may occur after this time. Please check model availability and full geometry details with your dealer prior to ordering.

	T-130 Trail Suspension 650b/27.5"	Trail Hardtail 650b/27.5"		
Model	T-130 Works SCR	901	905	909
Colour	Matt Zinc/Apple	Matt Zinc/Lime	Matt Orange/Black	Matt Granite
Sizes Available	S, M, L	S, M, L, XL	S, M, L, XL	S, M, L
Frame	6061 T6 SCR Aluminium Front Triangle with Tapered Head Tube and Intergrip seat clamp, alloy symmetrical SCS rear Triangle	6061 Hydro Formed T6 Aluminium, Custom Drawn and Multi Butted, Tapered Headtube, Get A Grip seat clamp system, Internal Stealth Reverb routing	6061 Hydro Formed T6 Aluminium, Custom Drawn and Multi Butted, Tapered Headtube, Get A Grip seat clamp system, Internal Stealth Reverb routing	6061 Hydro Formed T6 Aluminium, Custom Drawn and Multi Butted, Tapered Headtube and Whyte's adjustable dropout system, Internal Stealth Reverb routing
Fork	RockShox Pike 27.5", RC, 130mm Travel, Fast Black coating, Tapered steerer and 15mm Maxle	RockShox Sektor Gold 27.5" Lock-out, Maxle Light 130mm Travel, Solo Air, Adjustable Compression and Rebound, Tapered Steerer	RockShox Revelation RL, 27.5" Lock-out, Maxle Light 130mm Travel, Fast Black coating, Solo Air, Adjustable Compression and Rebound, Tapered Steerer	RockShox Pike 27.5", RC, 130mm Travel, Fast Black coating, Tapered steerer and 15mm Maxle
Rear Shock	RockShox Monarch Debonair, RT3, Fast Black coating, Adjustable Rebound and Compression	N/A	N/A	N/A
Headset	FSA No. 57E Orbit ZS, 1.5" Cartridge Sealed Lower Bearing Lower and 1 1/8" Upper Bearings	FSA No. 57B Orbit ZS, Sealed Cartridge Bearing 1.5" Lower, 1 1.8" Caged Upper Bearings	FSA No. 57E Orbit ZS, Sealed Cartridge Bearings, 1.5" Lower, 1 1.8" Upper Bearings	FSA No. 57E Orbit ZS, Sealed Cartridge Bearings, 1.5" Lower, 1 1.8" Upper Bearings
Rear Hub	SRAM Roam 40, 12 x 142mm	Alloy, Cup & Cone, Double Seal, 32 Hole	Hope EVO II with S1St Bearings, 10 Speed, 32 Hole, 12 X 142mm	Hope EVO II with S1St Bearings, XD Driver, 11 Speed, 32 Hole, 12 X 142mm
Front Hub	SRAM Roam 40, 15 x 100mm	Alloy, Cup & Cone, Double Seal, 15mm Through Axle, 32 Hole	Alloy, Double Sealed, Cartridge Bearing Hub 15mm, 32 Hole	Alloy, Double Sealed Cartridge Bearing Hub 15mm, 32 Hole
Spokes	SRAM Roam 40, S1St Butted	WTB 2.0mm, Black Sandvik Stainless with Brass Nipples	DT Champion 2.0mm Black Stainless with Brass Nipples	WTB 2.0mm, Black Sandvik Stainless with Brass Nipples
Rims	SRAM Roam 40, 21mm wide 27.5", Full UST Rims	Whyte Trail 21 Offset Disc rim, 32 Hole	Whyte Trail 21 Offset Disc Rims, 32 Hole	WTB STi 23 TCS 27.5" Tubeless ready rims, 32 Hole
Tyres	Maxxis Ardent TR 27.5 X 2.25" EXO Sidewall protection, Folding Front, Maxxis Ardent Race TR 27.5 X 2.2" EXO Sidewall protection, Folding Rear	Maxxis Ardent, 27.5" X 2.25" 60TPI Folding Front, Maxxis Ardent Race, 27.5" X 2.2" 60TPI Folding Rear	Maxxis Ardent, 27.5" X 2.25" 60TPI Folding Front, Maxxis Ardent Race, 27.5" X 2.2" 60TPI Folding Rear	WTB Trail Boss TCS 27.5" x 2.25", 60TPI Dual Compound, Folding Front, WTB Beeline TCS 27.5" x 2.2", 60TPI Dual Compound, Folding Rear
Shift Levers	SRAM X-1, Matchmaker, 11 Speed	SRAM X-5, 10 Speed	Shimano Deore, 10 Speed, I-Spec	SRAM X1, 11 Speed
Front Derailleur	N/A	SRAM X-5, 10 Speed	Shimano Deore, 10 Speed	N/A
Rear Derailleur	SRAM X-1, 11 Speed Alloy	SRAM X-7 Type 2 Medium Cage, 10 Speed, Custom Green	Shimano SLX, Shadow Plus, 10 Speed	SRAM X1, 11 Speed, Alloy
Cassette	SRAM XG-1180 10-42, 11 Speed	SRAM PG-1020, 11-36, 10 Speed	Shimano HG-81 SLX, 11-36, 10 Speed	SRAM XG-1180, 10-42, 11 Speed
Chain	SRAM PCX1, 11 Speed	SRAM PC-1031, 10 Speed	Shimano HG54, 10 Speed	SRAM PCX1, 11 Speed
Crankset	SRAM X1-1400 GXP, 32, 11 Speed Alloy	SRAM FC S1000, GXP, 38-24, 10 Speed, Double Compact	Race Face Ride, 36-22, 10 Speed, Compact Double	SRAM X1-1200, GXP, 32T, 11 Speed, Alloy Double
Bottom Bracket	SRAM GXP Team 73mm	SRAM GXP, 73mm	Race Face	SRAM GXP Team, 73mm
Seatpost	RockShox Reverb 125 Stealth, MatchMaker, 30.9 X 380mm	Whyte 20mm Offset, 30.9mm x 400mm, 6061 Alloy, 2 Bolt Clamp	Whyte 20mm Offset, 30.9mm x 400mm, 2014 Alloy, 2 Bolt Clamp	Whyte 20mm Offset, 30.9mm x 400mm, 2014 Alloy, 2 Bolt Clamp
Seat	Whyte Custom dual density, triple panel design	Whyte Custom, Triple Panel Design	Whyte Custom, Triple Panel Design	Fi'zi:k Gobi XM, Mag Rails
Bar	Whyte Custom Alloy, 15mm Rise, 750mm Wide	Whyte Custom 6061 Alloy, Low Rise, 750mm Wide	Whyte Custom Alloy, Low Rise, 750mm Wide	Whyte Custom Alloy, Low Rise, 750mm Wide
Stem	Whyte Gravity Stem, 60mm S, 70mm M/L	Whyte Gravity Stem, 60mm S/M, 70mm L, 80mm XL	Whyte Gravity Stem, 60mm S/M, 70mm L, 80mm XL	Whyte Gravity Stem, 60mm S/M, 70mm L
Grips	Whyte Lock-on	Whyte Custom Lock-on	Whyte Custom Lock-on	Whyte Custom Lock-on
Front Brake	SRAM Guide RS, 4 Pots, 180mm Rotor, Internal Routing	Avid DB 3, 180mm Rotor	Shimano BR-615, 180mm Rotor	Shimano XT, 180mm Rotor
Rear Brake	SRAM Guide RS, 4 Pots, 160mm Rotor, Internal Routing	Avid DB 3, 160mm Rotor	Shimano BR-615, 160mm Rotor	Shimano XT, 160mm Rotor
Brake Levers	SRAM Guide RS, Matchmaker	Avid DB 3	Shimano BL-615, I-Spec	Shimano XT I-Spec
Pedals	None	None	None	None

	T-129 XC/Trail 29er			X29 Performance XC Hardtail 29er
Model	T-129 S	T-129 Works	T-129 Works SCR	529
Colour	Matt Apple/Dark Grey	Matt Zinc/Burnt Orange	Matt Apple/Black & Teal	Matt Granite/Orange
Sizes Available	S, M, L, XL	S, M, L, XL	M, L, XL	S, M, L
Frame	6061 T6 Aluminium Front Triangle with Tapered Head Tube, Intergrip seat clamp and alloy rear Triangle with Maxle 142 dropouts	6061 T6 Aluminium Front Triangle with Tapered Head Tube and Intergrip seat clamp, alloy rear Triangle with 12mm E-Thru 142 dropouts	6061 T6 SCR Aluminium Front Triangle with Tapered Head Tube and Intergrip seat clamp, alloy symmetrical SCS rear Triangle	6061 Hydro Formed T6 Aluminium, Multi Butted, internal Brake and Cable routing with Chainstay Post Mount Dropouts
Fork	RockShox Reba 29", RL, 120mm Travel, Fast Black coating, Tapered steerer and 15mm Maxle Lite	Fox Float 32 Performance 29" with CTD FIT, 120mm Travel, Tapered steerer and 15QR	RockShox Pike 29", RC, 120mm Travel, Fast Black coating, Tapered steerer and 15mm Maxle	RockShox XC-30, 100mm Travel, Adjustable Rebound, Turn Key Lockout
Rear Shock	RockShox Monarch Debonair, RT3, Fast Black coating, Adjustable Rebound and Compression	Float Performance with Boost Valve, Rebound Adjustment and CTD Adjust	Fox Float Factory Kashima Coating with Boost Valve, Rebound Adjustment and CTD Adjust	N/A
Headset	FSA No. 57E Orbit ZS, 1.5" Cartridge Sealed Lower Bearing Lower and 1 1/8" Upper Bearing	FSA No. 57E Orbit ZS, 1.5" Cartridge Sealed Lower Bearing Lower and 1 1/8" Upper Bearing	FSA No. 57E Orbit ZS, 1.5" Cartridge Sealed Lower Bearing Lower and 1 1/8" Upper Bearing	FSA No. 10 Caged Bearings
Rear Hub	Alloy, Double Sealed Cartridge Bearing Hub 12mm X 142mm Through Axle, 32 Hole	Hope EVO II with SISf Bearings, 10 Speed, 32 Hole, 12 X 142mm	SRAM Roam 40, 12 x 142mm	Alloy, Cup & Cone, Double Seal, 32 Hole
Front Hub	Alloy, Double Sealed Cartridge Bearing Hub 15mm, 32 Hole	Alloy, Double Sealed Cartridge Bearing Hub 15mm Through Axle, 32 Hole	SRAM Roam 40, 15 x 100mm	Alloy, Cup & Cone, Double Seal, 32 Hole
Spokes	WTB 2.0mm, Black Sandvik Stainless Steel Spokes, Brass Nipples	DT Champion 2.0mm, Black Stainless Steel Spokes, Brass Nipples	SRAM Roam 40, SISf Butted	WTB 2.0mm, Black Stainless with Brass Nipples
Rims	WTB STi19 29" Rims with TCS System, Tubeless Ready, 32 Hole	WTB STi19 29" Rims with TCS System, Tubeless Ready	SRAM Roam 40, 21mm wide 29", Full UST Rims	Whyte XC-20 29" sleeve joint Offset rims, 32 Hole
Tyres	WTB Trail Boss, TCS Light Fast Rolling, 29" X 2.25", Folding Front, WTB Nineline, TCS Light Fast Rolling, 29" X 2.0", Folding Rear	WTB Trail Boss, TCS Light Fast Rolling, 29" X 2.25", Folding Front, WTB Nineline, TCS Light Fast Rolling, 29" X 2.0", Folding Rear	Maxxis High-Roller II TR 29 X 2.3" EXO Sidewall protection, Folding Front, Maxxis Crossmark TR 29 X 2.1" EXO Sidewall protection, Folding Rear	Maxxis IKON 60TPI, 29"x 2.2", Folding
Shift Levers	SRAM X-9 MMX Matchmaker, 10 Speed, Green	Shimano XT, I-Spec, 10 Speed	SRAM X-1, MMX Matchmaker, 11 Speed	Shimano Acera, 9 Speed
Front Derailleur	SRAM X-5, High Direct Mount, 10 Speed	Shimano SLX, High Direct Mount, 10 Speed	N/A	Shimano Alivio, 9 Speed
Rear Derailleur	SRAM X-9, Type 2, 10 Speed, Green	Shimano XT Shadow Plus, 10 Speed, Black	SRAM X-1, 11 Speed Alloy	Shimano Deore RD-M592 Shadow
Cassette	SRAM PG-1030 11-36, 10 Speed	Shimano HG81 11-36, 10 Speed	SRAM XG-1180 10-42, 11 Speed	Shimano HG-300, 11-34, 9 Speed
Chain	SRAM PC-1031, 10 Speed	Shimano HG54, 10 Speed	SRAM PCX1, 11 Speed	Shimano HG-53, 9 Speed
Crankset	SRAM S1400 GXP, 36-22 29er Trail Ratio, Compact Double, 10 Speed	Shimano XT, 38-24 29er Ratio, Compact Double, 10 Speed, Black	SRAM X1-1400 GXP, 32, 11 Speed Alloy	Shimano M4000, 40-30-22, 9 Speed, Octalink
Bottom Bracket	SRAM GXP, 73mm	Shimano Hollow Tech II	SRAM GXP Team 73mm	Shimano BB-ES25 Octalink
Seatpost	RockShox Reverb 125mm Stealth, MMX Matchmaker, 30.9 X 380mm	RockShox Reverb 125mm Stealth, 30.9 X 380mm	RockShox Reverb 125 Stealth, MMX MatchMaker, 30.9 X 380mm	Whyte 20mm Offset, 30.9mm x 400mm, 6061 Alloy, 2 Bolt Clamp
Seat	Whyte Custom dual density, triple panel design	Fi'zi:k Gobi XM, Mag Rails	Whyte Custom dual density, triple panel design	Whyte Custom, Triple Panel Design
Bar	Whyte Custom Alloy, 15mm Rise, 750mm Wide	Whyte Custom Alloy, 15mm Rise, 750mm Wide	Whyte Custom Alloy, 15mm Rise, 750mm Wide	Whyte Flat 29er 6061 Bar, 31.8mm, 700mm Wide
Stem	Whyte Gravity Stem, 60mm S, 70mm M, 80mm L/XL	Whyte Gravity Stem, 60mm S, 70mm M, 80mm L/XL	Whyte Gravity Stem, 40mm M, L, XL	Whyte Custom, -6 Degree, 70mm S and M and 80mm Large
Grips	Whyte Lock-on	Whyte Lock-on	Whyte Lock-on	Whyte Custom Lock-on
Front Brake	Avid DB5, 180mm Rotor, Internal Routing	Shimano XT, 180mm Rotor, Internal Routing	SRAM Guide RS, 4 Pots, 180mm Rotor, Internal Routing	Tektro Auriga, 180mm rotor, Internal Routing
Rear Brake	Avid DB5, 160mm Rotor, Internal Routing	Shimano XT, 160mm Rotor, Internal Routing	SRAM Guide RS, 4 Pots, 160mm Rotor, Internal Routing	Tektro Auriga, 160mm rotor, Internal Routing
Brake Levers	Avid DB5 MMX Matchmaker	Shimano XT I-Spec	SRAM Guide RS, MMX Matchmaker	Tektro Auriga
Pedals	None	None	None	VP Composite with Alloy Cage and Toe Clip

Specification details were correct at the time of printing. However, product changes may occur after this time. Please check model availability and full geometry details with your dealer prior to ordering.

	X29 Performance XC Hardtail 29er		X-8 Performance Hardtail 650b/27.5"	
Model	629	729	801	805
Colour	Matt Zinc/Lime & Apple	Matt Granite/Apple	Matt Granite/Lime	Matt Apple/Grey
Sizes Available	S, M, L	S, M, L	S, M, L, XL	S, M, L, XL
Frame	6061 Hydro Formed T6 Aluminium, Multi Butted, internal Brake and Cable routing with Chainstay Post Mount Dropouts	6061 Hydro Formed T6 Aluminium, Multi Butted, internal Brake and Cable routing with Chainstay Post Mount Dropouts	6061 Hydro Formed T6 Aluminium, Multi Butted, internal Brake and Cable routing with Chainstay Post Mount Dropouts	6061 Hydro Formed T6 Aluminium, Multi Butted, internal Brake and Cable routing with Chainstay Post Mount Dropouts
Fork	RockShox XC-30 TK 29", Solo Air, 100mm Travel, Alloy Tapered Steerer and Lock out and rebound	RockShox Reba RL 100mm Travel, Fast Black, Alloy Tapered Steerer, 15mm Maxle, Rebound and Compression adjust	RockShox XC-30 Silver, 100mm Travel, Adjustable Rebound, Tapered Alloy Steerer, Turn Key Lockout	RockShox XC-30 Gold, 100mm Travel, Adjustable Rebound, Tapered Alloy Steerer, Turn Key Lockout
Rear Shock	N/A	N/A	N/A	N/A
Headset	FSA No. 10 upper and 1.5" lower external cup Caged Bearings	FSA No. 10 upper and 1.5" lower external cup with Cartridge Bearings	FSA No. 10 upper and 1.5" lower external cup Caged Bearings	FSA No. 10 upper and 1.5" lower external cup Caged Bearings
Rear Hub	Alloy, Cup & Cone, Double Seal, 32 Hole	Alloy, Double Sealed, Cartridge Bearing Hub, 32 Hole	Alloy, Cup & Cone, Double Seal, 32 Hole	Alloy, Cup & Cone, Double Seal, 32 Hole
Front Hub	Alloy, Cup & Cone, Double Seal, 28 Hole	Alloy, Double Sealed, Cartridge Bearing Hub, 28 Hole, 15mm	Alloy, Cup & Cone, Double Seal, 32 Hole	Alloy, Cup & Cone, Double Seal, 32 Hole
Spokes	WTB 2.0mm, Black Stainless with Brass Nipples	DT Swiss 2.0mm, Competition Black Stainless Steel	WTB 2.0mm, Black Stainless with Brass Nipples	WTB 2.0mm, Black Stainless with Brass Nipples
Rims	Whyte XC-229 29" sleeve joint Offset Rims, 32 Hole Rear, 28 Hole Front	Whyte XC-229 29" sleeve joint Offset Rims, 32 Hole Rear, 28 Hole Front	Whyte XC-22, sleeve joint, Offset rims, 32 Hole	Whyte XC-22, sleeve joint, Offset rims, 32 Hole
Tyres	Maxxis IKON 60TPI, 29"x 2.2", Folding	Maxxis IKON, 120TPI, 29" X 2.2" Folding, Silkworm Puncture Protection	Maxxis IKON Wire 27.5" x 2.2"	Maxxis IKON, Wire 27.5" x 2.2"
Shift Levers	SRAM X-5, 10 Speed	SRAM X-9 MMX Matchmaker, 10 Speed, Custom Green	Shimano Acera, 9 Speed	SRAM X-5, 10 Speed
Front Derailleur	SRAM X-5, 10 Speed	SRAM X-7, 10 Speed	Shimano Acera, 9 Speed	SRAM X-5, 10 Speed
Rear Derailleur	SRAM X-7, Type 2, Medium Cage, 10 Speed	SRAM X-9 Type 2, Medium Cage, 10 Speed Custom Green	Shimano Deore RD-M592 Shadow	SRAM X-7, Long Cage, Type 2, 10 Speed
Cassette	SRAM PG-1030, 11-36, 10 Speed	SRAM PG-1050, 11-36, 10 Speed	Shimano HG-200, 11-34, 9 Speed	SRAM PG-1020 11-36, 10 Speed
Chain	SRAM PC 1031, 10 Speed	SRAM PC 1031, 10 Speed	Shimano HG-53, 9 Speed	SRAM PC 1031, 10 Speed
Crankset	SRAM S1000 GXP, 36-22 29er Ratio, Compact Double, 10 Speed	SRAM S1400 GXP, 36-22 29er Ratio, Compact Double, 10 Speed	Shimano M391, 44-32-22, 9 Speed, Octalink	SRAM FC800, 44-33-22 with Power Spline, 10 Speed
Bottom Bracket	SRAM GXP, 73mm	SRAM GXP, 73mm	Shimano BB-ES25 Octalink	SRAM Power Spline
Seatpost	Whyte 20mm Offset, 30.9mm x 400mm, 2014 Alloy, 2 Bolt Clamp	Whyte 20mm Offset, 30.9mm x 400mm, 2014 Alloy, 2 Bolt Clamp	Whyte 20mm Offset, 30.9mm x 400mm, 6061 Alloy, 2 Bolt Clamp	Whyte 20mm Offset, 30.9mm x 400mm, 6061 Alloy, 2 Bolt Clamp
Seat	Whyte Custom, Triple Panel Design	Whyte Custom dual density, triple panel design	Whyte Custom	Whyte Custom, Triple Panel Design
Bar	Whyte Flat 29er 6061 Bar, 31.8mm, 700mm Wide	Whyte Flat 29er 6061 Bar, 31.8mm, 700mm Wide	Whyte Riser Bar 15mm rise, 31.8mm, 680mm Wide	Whyte Riser Bar 15mm rise, 31.8mm, 680mm Wide
Stem	Whyte Custom, -6 Degree, 70mm S and M and 80mm Large	Whyte Custom, -6 Degree, 70mm S and M and 80mm Large	Whyte Custom, 70mm S, 70mm M, 80mm L & XL	Whyte Custom, 70mm S, 70mm M, 80mm L & XL
Grips	Whyte Custom Lock-on	Whyte Custom Lock-on	Whyte Custom Lock-on	Whyte Custom Lock-on
Front Brake	Tektro Gemini, 180mm Rotor, Internal Routing	Avid DB 5 Matchmaker, 180mm Rotor, Internal Routing	Tektro Auriga, 160mm rotor, Internal Routing	Tektro Gemini, 160mm Rotor, Internal Routing
Rear Brake	Tektro Gemini, 160mm Rotor, Internal Routing	Avid DB 5 Matchmaker, 160mm Rotor, Internal Routing	Tektro Auriga, 160mm rotor, Internal Routing	Tektro Gemini, 160mm Rotor, Internal Routing
Brake Levers	Tektro Gemini	Avid DB 5 MMX Matchmaker	Tektro Auriga	Tektro Gemini
Pedals	VP Full Alloy with Toe Clip	N/A	VP Composite with Alloy Cage and Toe Clip	VP Composite with Alloy Cage and Toe Clip

	X-8 Performance Hardtail 650b/27.5"		X-6 Sports Hardtail 650b/27.5"	
Model	802 Compact	806 Compact	603	604 Compact
Colour	Matt Zinc/Violet & Aqua	Matt Granite/Aqua	Matt Apple/Black & Teal	Matt Aqua/Black & White
Sizes Available	XS, S, M	XS, S, M	S, M, L, XL	XS, S, M
Frame	6061 Hydro Formed T6 Aluminium, Multi Butted, Internal Brake and Cable routing with Chainstay Post Mount Dropouts	6061 Hydro Formed T6 Aluminium, Multi Butted, Internal Brake and Cable routing with Chainstay Post Mount Dropouts	6061 Hydro Formed T6 Aluminium, Custom Butted, Multi Butted with Internal Cable routing, Post Mount Dropouts	6061 Hydro Formed T6 Aluminium, Custom Drawn, Multi Butted with Post Mount Dropouts
Fork	RockShox XC-30 Silver, 100mm Travel, Solo Air, Adjustable Rebound, Alloy Steerer, Turn Key Lockout	RockShox XC-30 Silver, 100mm Travel, Solo Air, Adjustable Rebound, Tapered Alloy Steerer, Turn Key Lockout	SR XCM, 100mm Travel, Fixed Rebound Damping, Hydro Lockout	SR XCM, 100mm Travel, Fixed Rebound, Hydro Lockout
Rear Shock	N/A	N/A	N/A	N/A
Headset	FSA No. 10 Caged Bearings	FSA No. 10 upper and 1.5" lower external cup Caged Bearings	FSA No. 10 Caged Bearings	FSA No. 10 Caged Bearings
Rear Hub	Alloy, Cup & Cone, Double Seal, 32 Hole	Alloy, Cup & Cone, Double Seal, 32 Hole	Alloy, Cup & Cone, Double Seal, 32 Hole	Alloy, Cup & Cone, Double Seal, 32 Hole
Front Hub	Alloy, Cup & Cone, Double Seal, 32 Hole	Alloy, Cup & Cone, Double Seal, 28 Hole	Alloy, Cup & Cone, Double Seal, 32 Hole	Alloy, Cup & Cone, Double Seal, 32 Hole
Spokes	WTB 2.0mm, Black Stainless with Brass Nipples	WTB 2.0mm, Black Stainless with Brass Nipples	2.0mm, Black Stainless with Brass Nipples	2.0mm, Black Stainless with Brass Nipples
Rims	Whyte XC-22, sleeve joint, Offset rims, 32 Hole	WTB ST119 27.5" Rims with TCS System, Tubeless Ready, 28 Hole Front, 32 Hole Rear	WTB SX19, 32 Hole	WTB SX-19, 32 Hole
Tyres	Maxxis IKON Wire 27.5" x 2.2"	WTB BeeLine TCS Light Fast Rolling, 27.5" x 2.2" Folding Bead	WTB Nano Wire 27.5" x 2.1"	WTB Nano Wire 27.5" x 2.1"
Shift Levers	Shimano Acera, 9 Speed	Shimano Deore, 10 Speed	Shimano Altus, 8 Speed	Shimano Altus, 8 Speed
Front Derailleur	Shimano Acera, 9 Speed	Shimano Deore, 10 Speed	Shimano Altus, 8 Speed	Shimano Altus, 8 Speed
Rear Derailleur	Shimano Deore RD-M592 Shadow	Shimano Deore RD-M610 Shadow	Shimano Acera RD-M390	Shimano Acera RD-M390
Cassette	Shimano HG-200, 11-34, 9 Speed	Shimano HG-50, 11-36, 10 Speed	Shimano HG-41, 11-34, 8 Speed	Shimano HG-41, 11-34, 8 Speed
Chain	Shimano HG-53, 9 Speed	Shimano HG-54, 10 Speed	Shimano HG-40, 8 Speed	Shimano HG-40
Crankset	Shimano M391, 44-32-22, Silver, 9 Speed with 170mm Cranks, Octalink	Shimano M523 Hollow Tech, 40-30-22, Silver, 10 Speed with 170mm Cranks	Shimano M361, 42-32-22, 8 Speed	Shimano M361, 42-32-22, 8 Speed
Bottom Bracket	Shimano BB-ES25 Octalink	Shimano BB-ES25 Octalink	Square Taper	Square Taper
Seatpost	Whyte 20mm Offset, 30.9mm x 400mm, 6061 Alloy, 2 Bolt Clamp	Whyte 20mm Offset, 30.9mm x 400mm, 6061 Alloy, 2 Bolt Clamp	Whyte 20mm Offset, 30.9mm x 350mm, 6061 Alloy, 2 Bolt Clamp	Whyte 20mm Offset, 30.9mm x 350mm, 6061 Alloy, 2 Bolt Clamp
Seat	Whyte Custom Sports	Whyte Custom Women's fit	Whyte Custom	Whyte Custom
Bar	Whyte Riser Bar 15mm rise, 31.8mm, 680mm Wide	Whyte Riser Bar 15mm rise, 31.8mm, 680mm Wide	Whyte Riser Bar 30mm rise, 31.8mm, 680mm Wide	Whyte Riser Bar 30mm rise, 31.8mm, 680mm Wide
Stem	Whyte Custom, 60mm XS, 60mm S, 70mm M	Whyte Custom, 60mm XS, 60mm S, 70mm M	Whyte Custom, 70mm S & M, 80mm L & 90mm XL	Whyte Custom, 70mm XS & S, 80mm M
Grips	Whyte Custom Lock-on	Whyte Custom Lock-on	Whyte Custom	Whyte Custom
Front Brake	Tektro Auriga, 160mm rotor, Internal Routing	Tektro Auriga, 160mm rotor, Internal Routing	Tektro Auriga, 160mm Rotor	Tektro Auriga, 160mm Rotor
Rear Brake	Tektro Auriga, 160mm rotor, Internal Routing	Tektro Auriga, 160mm rotor, Internal Routing	Tektro Auriga, 160mm Rotor	Tektro Auriga, 160mm Rotor
Brake Levers	Tektro Auriga WDS Compact	Tektro Auriga WDS	Tektro Auriga	Tektro Auriga
Pedals	VP Composite with Alloy Cage and Toe Clip	VP Composite with Alloy Cage and Toe Clip	VP Composite with Alloy Cage and Toe Clip	VP Composite with Alloy Cage and Toe Clip

Specification details were correct at the time of printing. However, product changes may occur after this time. Please check model availability and full geometry details with your dealer prior to ordering.

	X-6 Sports Hardtail 650b/27.5"	Kid's Performance Hardtail	M-109 Carbon XC Marathon 29er	
Model	605	401	M-109 CS	M-109 C Team
Colour	Matt Zinc/Apple/Black	Matt Zinc/Emerald/Apple Green	Matt UD Carbon/Orange	Matt UD Carbon/Lime
Sizes Available	S, M, L, XL	13"	M, L	M, L
Frame	6061 Hydro Formed T6 Aluminium, Custom Drawn, Multi Butted with Internal Routing, Post Mount Dropouts	6061 Hydro Formed T6 Aluminium, Custom Drawn and Multi Butted	High-Modulus UD Carbon Front Triangle with Tapered Head Tube, alloy rear Triangle with E-Thru dropouts	High-Modulus UD Carbon Front Triangle with Tapered Head Tube, alloy rear Triangle with E-Thru dropouts
Fork	SR XCR, 100mm Travel, Alloy Steerer, Adjustable Rebound, Hydro Lockout	SR Raidon, 100mm Travel, Alloy Stanchions, Alloy Steerer, Adjustable Rebound, Hydro Lockout	Fox Float 32 Performance 29" with CTD Adjust, FIT, 100mm Travel, Tapered steerer and 15QR	Fox Float 32 Factory 29" with CTD Adjust, FIT, 100mm Travel, Tapered steerer and 15QR
Rear Shock	N/A	N/A	Fox Float Performance with Boost Valve, Rebound Adjustment and CTD Adjust	Fox Float Factory with Boost Valve, Rebound Adjustment and CTD Adjust
Headset	FSA No. 10 Sealed Bearings	FSA No. 10 Caged Bearings	FSA No. 42 Integrated Road, 1 1/8" upper Sealed Cartridge Bearing, 1.5 lower Sealed Cartridge Bearing	FSA No. 42 Integrated Road, 1 1/8" upper Sealed Cartridge Bearing, 1.5 lower Sealed Cartridge Bearing
Rear Hub	Alloy, Cup & Cone, Double Seal, 32 Hole	Alloy, Cup & Cone, Double Seal, 28 Hole	Whyte XC-209-Carbon Wheelset, 32 St1 spokes, 12mm E Thru, Alloy Freehub, 6 Bolt hub with double sealed cartridge bearings	Whyte XC-209-Carbon Team Carbon Wheelset, 28 Straight Pull St1 spokes, 12mm E Thru, Alloy Freehub, 6 Bolt hub with double sealed cartridge bearings
Front Hub	Alloy, Cup & Cone, Double Seal, 32 Hole	Alloy, Cup & Cone, Double Seal, 28 Hole	Whyte XC-209-Carbon Wheelset, 28 St1 flat spokes, QR 15, 6 Bolt hub with double sealed cartridge bearings	Whyte XC-209-Carbon Team Wheelset, 28 Straight Pull St1 flat spokes, QR15, 6 Bolt hub with double sealed cartridge bearings
Spokes	2.0mm, Black Stainless with Brass Nipples	WTB 2.0mm, Black Stainless with Brass Nipples	Black Stainless Steel Spokes, Alloy Nipples	Black Stainless Steel Spokes, DT Swiss Prolock Alloy Nipples
Rims	WTB SX-19, 32 Hole	Whyte XC-401, 28 Hole	Whyte X-C-209-Carbon Uni-Directional High-Modulus Carbon, 23mm wide, Tubeless Ready	Whyte X-C-209-C Team Uni-Directional High-Modulus Carbon, 23mm wide, Tubeless Ready
Tyres	WTB Nano Wire 27.5" x 2.1"	Continental Race-King Folding 26" x 2.2"	Maxxis IKON TR, 29" X 2.2" 120TPI, 3C(Maxx Terra) Folding Bead, EXO Sidewall protection	Maxxis IKON TR, 29" X 2.2" 120TPI, 3C(Maxx Terra) Folding Bead, EXO Sidewall protection
Shift Levers	Shimano Acera, 9 Speed	SRAM X0 GripShift, 10 Speed	Shimano XT I-Spec, 10 Speed	Shimano XTR I-Spec, 11 Speed
Front Derailleur	Shimano Altus, 9 Speed	N/A	Shimano XT, High Direct Mount, 10 Speed	Shimano XTR, High Direct Mount, 11 Speed
Rear Derailleur	Shimano Alivo RD-M4000 Shadow, 9 Speed	SRAM X-7, Type 2, 10 Speed, Green	Shimano XT, Shadow Plus, 10 Speed	Shimano XTR, Shadow Plus, 11 Speed
Cassette	Shimano HG-200-9, 11-34, 9 Speed	SRAM 1020, 11-36, 10 Speed	Shimano HG81-10 11-36, 10 Speed	Shimano XTR1-10 11-40, 11 Speed
Chain	Shimano HG-53, 9 Speed	SRAM PC1031, 10 Speed	Shimano HG54, 10 Speed	Shimano HG600, 11 Speed
Crankset	Shimano M391, 44-32-22, 9 Speed	SRAM Firex GXP, T33 Single With Chain Guard, 170mm Crank, 10 Speed	Shimano XT, Hollow Tech II, 38-24, 10 Speed	Shimano XTR, Hollow Tech II, 36-26, 11 Speed
Bottom Bracket	Shimano BB-UN26 Square Taper	SRAM GXP, 73mm	Shimano Hollow Tech II	Shimano Hollow Tech II
Seatpost	Whyte 20mm Offset, 30.9mm x 350mm, 6061 Alloy, 2 Bolt Clamp	Whyte 20mm Offset, 27.2mm x 350mm, 6061 Alloy, 2 Bolt Clamp	Whyte Custom 2014 Alloy, 30.9mm x 350mm, 2 bolt clamp	Easton EC-70 Matt Carbon, 30.9mm x 400mm, Zero Offset, 2 Bolt Clamp
Seat	Whyte Custom	Whyte Custom Kids	Whyte Custom dual density, triple panel design	Custom Prologo Nago Evo X8, Ti Rail
Bar	Whyte Riser Bar 30mm rise, 31.8mm, 680mm Wide	Whyte Flat Kids Bar, 31.8mm, 580mm Wide	Whyte Custom 6061 Alloy, Flat, 31.8mm, 730mm Wide	Easton EC-70 Matt Carbon Bar, 720mm Wide
Stem	Whyte Custom, 70mm S, 80mm M & L, 90mm XL	Whyte Custom, 70mm -6 Deg	Whyte Custom, -6 Degree, 80mm M, 90mm L	Whyte Custom, -6 Degree, 80mm M, 90mm L
Grips	Whyte Custom Lock-on	SRAM Lock-On's	Whyte Lock-on, EVA Light-weight Foam	Whyte Lock-on, EVA Light-weight Foam
Front Brake	Tektro Auriga, 160mm Rotor	Tektro Auriga, 160mm rotor	Shimano XT, 180mm	Shimano XTR, 180mm Ice Tech Rotor with metal pads and Cooling Fin's
Rear Brake	Tektro Auriga, 160mm Rotor	Tektro Auriga, 160mm rotor	Shimano XT, 160mm	Shimano XTR, 160mm Ice Tech Rotor with metal pads and Cooling Fin's
Brake Levers	Tektro Auriga	Tektro Auriga WDS, Adjustable Reach	Shimano XT I-Spec	Shimano XTR I-Spec
Pedals	VP Composite with Alloy Cage and Toe Clip	VP Composite Kids	None	None

C7 All Terrain Series				
Model	Malvern Ladies	Caledonian Ladies	Ridgeway	Fairfield
Colour	Matt Granite/Cool Grey	Matt Bone/Cool Grey	Matt Granite/Cool Grey	Matt Granite/Cool Grey
Sizes Available	S, M, L	S, M, L	S, M, L	S, M, L
Frame	6061 Hydro Formed T6 Aluminium, Custom Drawn, Multi Butted with Custom Whyte Dropouts	6061 Hydro Formed T6 Aluminium, Custom Drawn, Multi Butted with Custom Whyte Dropouts	6061 Hydro Formed T6 Aluminium, Custom Drawn, Multi Butted with Custom Whyte Dropouts	6061 Hydro Formed T6 Aluminium, Custom Drawn, Multi Butted, concealed rear brake post
Fork	SR Suntour NCX-D LO Lite, 63mm travel, Coil Spring, Hydro Lockout and Alloy Steerer tube	SR Suntour NCX-D LO Lite, 63mm travel, Coil Spring, Hydro Lockout and Alloy steerer tube	SR Suntour NEX HLO, 63mm travel, Hydro Lockout	6061 Alloy, curved blade with Alloy Steerer and Eyelets
Rear Shock	N/A	N/A	N/A	N/A
Headset	FSA No.10 Caged Bearings	FSA No.10 Caged Bearings	FSA No.10 Caged Bearings	FSA No.10 Caged Bearings
Rear Hub	Shimano FH-RM-33, 32 Hole with Centre-Lock	Alloy, Cup & Cone, Double Seal, 32 Hole	Alloy, Cup & Cone, Double Seal, 32 Hole	Alloy, Cup & Cone, Double Seal, 32 Hole
Front Hub	Shimano HB-RM-33, 32 Hole with Centre-Lock	Alloy, Cup & Cone, Double Seal, 32 Hole	Alloy, Cup & Cone, Double Seal, 32 Hole	Alloy, Cup & Cone, Double Seal, 32 Hole
Spokes	2.0mm, Black Stainless with Brass Nipples	2.0mm, Black Sandvik Stainless Steel with Brass Nipples	2.0mm, Black Stainless with Brass Nipples	2.0mm, Silver Stainless with Brass Nipples
Rims	WTB SX-17 700c, 32 Hole, with eyelets	WTB SX-17 700c, 32 Hole, with eyelets	WTB SX-17 700c, 32 Hole, with eyelets	WTB DX-17 700c, 32 Hole
Tyres	WTB All Terrain Comp 700 x 35c with Flat Guard	Vittoria Randonneur Trail 700 x 35c, with Double Shielding puncture protection	WTB All Terrain Comp 700 x 35c with Flat Guard	Maxxis Roamer 700 x 42c with Kevlar Puncture Protection
Shift Levers	Shimano Acera, 9 Speed	Shimano Deore, 10 Speed	Shimano Altus, 9 Speed	Shimano Altus, 8 Speed
Front Derailleur	Shimano Acera, 9 Speed	Shimano Deore, 10 Speed	Shimano Altus, 9 Speed	Shimano FD-M191, 8 Speed
Rear Derailleur	Shimano Deore, 9 Speed	Shimano LX T670, 10 Speed	Shimano Alivio, 9 Speed	Shimano Acera, 8 Speed
Cassette	Shimano HG-300-9, 11-32, 9 Speed	Shimano CS-HG-62, 11-34, 10 Speed	Shimano HG-200-9, 11-32, 9 Speed	Shimano HG-31, 11-32, 8 Speed
Chain	Shimano HG-53, 9 Speed	Shimano HG-54, 10 Speed	Shimano HG-53, 9 Speed	Shimano HG-40, 8 Speed
Crankset	Shimano M391 Acera, 48-36-26, Octalink, 9 Speed	Shimano T521, 48-36-26, Octalink Hollow Tech, 10 Speed	Shimano M371, 48-36-26, 9 Speed	Shimano M311, 48-38-28, 8 Speed
Bottom Bracket	Shimano ES-25, Octalink	Shimano ES-25 Octalink	Square Taper	Square Taper
Seatpost	Whyte 20mm Offset, 30.9mm x 400mm, 6061 Alloy, With 2 Bolt Clamp	Whyte 20mm Offset, 30.9mm x 400mm, 6061 Alloy, 2 bolt clamp	Whyte 20mm Offset, 30.9mm x 400mm, 6061 Alloy, With 2 Bolt Clamp	Whyte 20mm Offset, 30.9mm x 400mm, 6061 Alloy, With 2 Bolt Clamp
Seat	Whyte Custom Women's Fit, triple panel design With Snake Skin effect	Whyte Custom Women's Fit, triple panel design With Snake Skin effect	Whyte Custom, triple panel design	Whyte Custom, triple panel design
Bar	Whyte High Rise 30mm, 31.8mm, 620mm Wide	Whyte High Rise 30mm, 31.8mm, 620mm Wide	Whyte High Rise 30mm, 31.8mm, 620mm Wide	Whyte High Rise 30mm, 31.8mm, 620mm Wide
Stem	Whyte Custom, 70mm S, 80mm M, 90mm L	Whyte Custom, 70mm S, 80mm M, 90mm L	Whyte Custom, 70mm S, 80mm M, 90mm L	Whyte Custom, 70mm S, 80mm M, 90mm L
Grips	Whyte Custom Ergo Dual Density Lock-on's	Whyte Custom Ergo Dual Density Lock-on's	Whyte Custom Ergo Dual Density Lock-on's	Whyte Custom Ergo Dual Density Lock-on's
Front Brake	Shimano BR-M355, 160mm Rotor	Shimano M447, 160mm Rotor	Tektro Vela, 160mm Rotor	Tektro Forged V Brake
Rear Brake	Shimano BR-M355, 160mm Rotor	Shimano M447, 160mm Rotor	Tektro Vela, 160mm Rotor	Tektro Forged V Brake
Brake Levers	Shimano BR-M355	Shimano M445	Tektro Vela	Tektro Ergo Style brake lever with Intergrated Bell
Pedals	VP Composite with Toe Clip	VP Composite with Alloy Cage and Toe Clip	VP Composite with Toe Clip	VP Alloy Body with Non Slip Grip

C7 All Terrain Series			R7 Fast Urban Series	
Model	Malvern	Caledonian	Whitechapel	Carnaby Women's
Colour	Matt Granite/Cool Grey	Matt Zinc/Aqua	Matt Zinc	Matt Bone
Sizes Available	S, M, L, XL	S, M, L	S, M, L, XL	S, M, L
Frame	6061 Hydro Formed T6 Aluminium, Custom Drawn, Multi Butted with Custom Whyte Dropouts	6061 Hydro Formed T6 Aluminium, Custom Drawn, Multi Butted with Custom Whyte Dropouts	6061 Hydro Formed T6 Aluminium, Custom Drawn, Multi Butted with Custom Whyte Dropouts	6061 Hydro Formed T6 Aluminium, Custom Drawn, Multi Butted with Custom Whyte Dropouts
Fork	SR Suntour NCX-D LO, 63mm travel, Coil Spring, Hydro Lockout and Alloy Steerer tube	SR Suntour NCX-D LO, 63mm travel, Coil Spring, Hydro Lockout and Alloy Steerer tube	Straight Bladed 6061 T6 Alloy Front Fork, Post mount with Single Eyelets	Straight Bladed 6061 T6 Alloy Front Fork, Post Mount with Single Eyelets
Rear Shock	N/A	N/A	N/A	N/A
Headset	FSA No.10 Caged Bearings	FSA No.10 Caged Bearings	FSA No. 23 Integrated Road, 1 1/8" Sealed Cartridge Lower bearing, Double Sealed upper bearing	FSA No. 23 Integrated Road, 1 1/8" Sealed Cartridge Lower bearing, Double Sealed upper bearing
Rear Hub	Shimano FH-RM-33, 32 Hole with Centre-Lock	Alloy, Cup & Cone, Double Seal, 32 Hole	Alloy, Cup & Cone, Double Seal, 32 Hole	Alloy, Cup & Cone, Double Seal, 32 Hole
Front Hub	Shimano HB-RM-33, 32 Hole with Centre-Lock	Alloy, Cup & Cone, Double Seal, 32 Hole	Alloy, Cup & Cone, Double Seal, 28 Hole	Alloy, Cup & Cone, Double Seal, 28 Hole
Spokes	2.0mm, Black Stainless with Brass Nipples	2.0mm, Black Sandvik Stainless Steel with Brass Nipples	2.0mm, Black Stainless with Brass Nipples	2.0mm, Black Stainless with Brass Nipples
Rims	WTB SX-17 700c, 32 Hole, with eyelets	WTB SX-17 700c, 32 Hole, with eyelets	Shining A-240, Deep Section, Disk Specific Road, 32 Hole Rear and 28 Front	Shining A240 Deep Section, Disk Specific Road, 32 Hole Rear and 28 Front
Tyres	WTB All Terrain Comp 700 x 35c with Flat Guard	Vittoria Randonneur Trail 700 x 35c, with Double Shielding puncture protection	Vittoria Zaffiro, 700 x 28c, Black, with Puncture Protection	Vittoria Zaffiro, 700 x 28c, Black, with Puncture Protection
Shift Levers	Shimano Acera, 9 Speed	Shimano Deore, 10 Speed	Shimano Altus, 9 Speed	Shimano Altus, 9 Speed
Front Derailleur	Shimano Acera, 9 Speed	Shimano Deore, 10 Speed	N/A	N/A
Rear Derailleur	Shimano Deore, 9 Speed	Shimano LX, 10 Speed	Shimano Acera, 9 Speed	Shimano Acera, 9 Speed
Cassette	Shimano HG-300-9, 11-32, 9 Speed	Shimano Deore HG-62, 11-34, 10 Speed	Shimano HG-200-9, 11-32 9 Speed	Shimano HG-200-9, 11-32 9 Speed
Chain	Shimano HG-53, 9 Speed	Shimano HG-54, 10 Speed	Shimano HG-53, 9 Speed	KMC X9, 9 Speed
Crankset	Shimano M391 Acera, 48-36-26, Octalink, 9 Speed	Shimano T521, 48-36-26, Octalink, Hollow Tech, 10 Speed	Lasco 42T, with chain Guard	Lasco 39T, with Alloy Chain Guard
Bottom Bracket	Shimano ES-25, Octalink	Shimano ES-25 Octalink	FSA Square Taper	FSA Square Taper
Seatpost	Whyte 20mm Offset, 30.9mm x 400mm, 6061 Alloy, With 2 Bolt Clamp	Whyte 20mm Offset, 30.9mm x 400mm, 6061 Alloy, 2 bolt clamp	Whyte 20mm Offset, 27.2mm x 350mm, 6061 Alloy, 2 Bolt Clamp	Whyte 20mm Offset, 27.2mm x 350mm, 6061 Alloy, 2 Bolt Clamp
Seat	Whyte Custom, triple panel design	Whyte Custom, triple panel design	Whyte Custom	Whyte Custom Women's, Triple Panel Design
Bar	Whyte High Rise 30mm, 31.8mm, 620mm Wide	Whyte High Rise 30mm, 31.8mm, 620mm Wide	Whyte Narrow, 31.8mm, 30mm Rise, 580mm Wide	Whyte Narrow, 31.8mm, 30mm Rise, 580mm Wide
Stem	Whyte Custom, 70mm S, 80mm M, 90mm L	Whyte Custom, 70mm S, 80mm M, 90mm L	Whyte, 60mm S & M, 70mm L & XL	Whyte, 60mm S & M, 70mm L
Grips	Whyte Custom Ergo Dual Density Lock-on's	Whyte Custom Ergo Dual Density Lock-on's	Whyte Custom with extra-thick bar plugs	Whyte Custom with extra-thick bar plugs
Front Brake	Shimano BR-M355, 160mm Rotor	Shimano M447, 160mm Rotor	Tektro Auriga, 160mm Rotor	Tektro Auriga 160mm Rotor
Rear Brake	Shimano BR-M355, 160mm Rotor	Shimano M447, 160mm Rotor	Tektro Auriga, 160mm Rotor	Tektro Auriga 160mm Rotor
Brake Levers	Shimano BL-M335	Shimano M445	Tektro Auriga	Tektro Auriga WDS
Pedals	VP Composite with Toe Clip	VP Composite with Alloy Cage and Toe Clip	Fibre reinforced Composite Platform	Fibre reinforced Composite Platform

R7 Fast Urban Series				
Model	Shoreditch	Victoria Women's	Portobello	Pimlico Women's
Colour	Matt Granite/Grey	Matt Granite/Aqua	Matt Granite/Apple	Matt Plum/Grey
Sizes Available	S, M, L, XL	S, M, L	S, M, L, XL, XXL	S, M, L
Frame	6061 Hydro Formed T6 Aluminium, Custom Drawn, Multi Butted with Custom Whyte Dropouts	6061 Hydro Formed T6 Aluminium, Custom Drawn, Multi Butted with Custom Whyte Dropouts	6061 Hydro Formed T6 Aluminium, Custom Drawn, Multi Butted with Custom Whyte Dropouts	6061 Hydro Formed T6 Aluminium, Custom Drawn, Multi Butted with Custom Whyte Dropouts
Fork	Straight Bladed Carbon Front Fork, with Post Mount and Single Eyelets	Straight Bladed 6061 T6 Alloy Front Fork, Post mount Dropout with Single Eyelets	Straight Bladed Carbon Front Fork with Alloy Steerer Tube, Full Carbon Dropout and eyelet for Mud Gaurds	Straight Bladed Carbon Front Fork with Alloy Steerer Tube, Full Carbon Dropout and eyelet for Mud Gaurds
Rear Shock	N/A	N/A	N/A	N/A
Headset	FSA No. 23 Integrated Road, 1 1/8" Sealed Cartridge Lower bearing, Caged Double Sealed upper bearing	FSA No. 23 Integrated Road, 1 1/8" Sealed Cartridge Bearings, 41mm Diameter	FSA No. 23 Integrated Road, 1 1/8" Sealed Cartridge Bearings, 41mm Diameter	FSA No. 23 Integrated Road, 1 1/8" Sealed Cartridge Bearings, 41mm Diameter
Rear Hub	Alloy, Cup & Cone, Double Seal, 32 Hole	Alloy, Cup & Cone, Double Seal, 32 Hole	Alloy, Cup & Cone, Double Seal, 32 Hole	Alloy, Cup & Cone, Double Seal, 32 Hole
Front Hub	Alloy, Cup & Cone, Double Seal, 28 Hole	Alloy, Cup & Cone, Double Seal, 28 Hole	Alloy, Cup & Cone, Double Seal, 28 Hole	Alloy, Cup & Cone, Double Seal, 28 Hole
Spokes	2.0mm, Black Stainless with Brass Nipples	WTB 2.0mm, Black Stainless with Brass Nipples	WTB 2.0mm, Black Stainless with Brass Nipples	WTB 2.0mm, Black Stainless with Brass Nipples
Rims	Shining A-240, Deep Section, Disk Specific Road, 32 Hole Rear and 28 Front	Alex Black Dragon 24, Deep Section, Disk Specific Road, 32 Hole Rear and 28 Front, Reflective 3M decals	Alex Black Dragon 24, Deep Section, Disk Specific Road, 32 Hole Rear and 28 Front, Reflective 3M decals	Alex Black Dragon 24, Deep Section, Disk Specific Road, 32 Hole Rear and 28 Front, Reflective 3M decals
Tyres	Vittoria Zaffrio, 700 x 28c, Black, with Puncture Protection	Maxxis Detonator, 700 x 28c, Folding Black/Aqua, with Puncture Protection	Maxxis Detonator, 700 x 28c, Black, with Puncture Protection	Maxxis Detonator, 700 x 28c, Folding Black/Grey, with Puncture Protection
Shift Levers	Shimano Deore, 10 Speed	Shimano Sora SL-3500, 9 Speed	Shimano Sora SL-3500, 9 Speed	SRAM Via Centro, 10 Speed
Front Derailleur	N/A	Shimano Sora FD-R3500, 9 Speed	Shimano Sora FD-3500, 9 Speed	SRAM Via Centro, 10 Speed
Rear Derailleur	Shimano Deore Shadow Plus, 10 Speed	Shimano Sora RD-3500, 9 Speed	Shimano Sora RD-3500, 9 Speed	SRAM Via Centro, 10 Speed
Cassette	Shimano HG-50-10, 11-36 10 Speed	Shimano HG-300, 11-32 9 Speed	Shimano HG-300, 11-32 9 Speed	SRAM PG-1030, 11-32, 10 Speed
Chain	Shimano HG-54, 10 Speed	Shimano HG-53, 9 Speed	Shimano HG-53, 9 Speed	SRAM PC-1031, 10 Speed
Crankset	Lasco 42T Alloy Chain ring and Guard, 10 Speed	FSA Tempo 50-34, 9 Speed, Compact, 170mm Crank arm length	FSA Tempo 50-34, 9 Speed, Compact	SRAM Via Centro, 48-32, 10 Speed, Compact
Bottom Bracket	FSA Square Taper	FSA Square Taper	FSA Square Taper	SRAM Power Spline, 68mm Shell
Seatpost	Whyte 20mm Offset, 27.2mm x 350mm, 6061 Alloy, 2 Bolt Clamp	Whyte 20mm Offset, 27.2mm x 350mm, 6061 Alloy, 2 Bolt Clamp	Whyte 20mm Offset, 27.2mm x 350mm, 6061 Alloy, 2 Bolt Clamp	Whyte 20mm Offset, 27.2mm x 350mm, 6061 Alloy, 2 Bolt Clamp
Seat	Whyte Custom	Whyte Custom Women's Fit, Triple Panel Design	Whyte Custom, Triple Panel Design	Whyte Custom Women's Fit, Triple Panel Design
Bar	Whyte Narrow, 31.8mm, 30mm Rise, 580mm Wide	Whyte Narrow, 31.8mm, 30mm Rise, 580mm Wide	Whyte Narrow, 31.8mm, 20mm Rise, 580mm Wide	Whyte Narrow, 31.8mm, 20mm Rise, 580mm Wide
Stem	Whyte, 60mm S & M, 70mm L & XL	Whyte, 70mm XS & S, 80mm M	Whyte, 70mm S, 80mm M, 90mm L & XL	Whyte, 70mm XS & S, 80mm M
Grips	Whyte Custom with extra-thick bar plugs	Whyte double Density, Lock-on	Whyte Custom Dual Density Lock-on's	Whyte double Density, Lock-on
Front Brake	Tektro Auriga, 160mm Rotor	Tektro Auriga WDS, Light weight 160mm Rotor	Tektro Auriga, Light weight 160mm Rotor	Tektro Auriga WDS, Light weight 160mm Rotor
Rear Brake	Tektro Auriga, 160mm Rotor	Tektro Auriga WDS, Light weight 160mm Rotor	Tektro Auriga, Light weight 160mm Rotor	Tektro Auriga WDS, Light weight 160mm Rotor
Brake Levers	Tektro Auriga	Tektro Auriga WDS	Tektro Auriga	Tektro Auriga WDS
Pedals	Fibre reinforced Composite Platform	Composite with Alloy Cage and Toe Clip	Fibre reinforced Composite with Toe Clip	Fibre reinforced Composite with Toe Clip

R7 Fast Urban Series				RD-7 Road Disc
Model	Cambridge	Stirling	Montpellier	Somerset Women's
Colour	Matt Zinc/Aqua	Matt Granite/Burnt Orange	Matt UD Black/Dark Grey	Matt Granite/Lime & Aqua
Sizes Available	S, M, L, XL	S, M, L, XL, XXL	M, L, XL	47cm, 49cm, 51cm, 53cm
Frame	6061 Hydro Formed T6 Aluminium, Custom Drawn, Multi Butted with Custom Whyte Dropouts	6061 Hydro Formed T6 Aluminium, Custom Drawn, Multi Butted with Custom Whyte Dropouts	Full Carbon Monocoque with tapered headtube and internal cable routing and Full Carbon Dropouts	6061 Hydro Formed T6 Aluminium, Custom Drawn, Multi Butted with Post Mount Chainstay Disk mount
Fork	Straight Bladed Carbon Front Fork with Alloy Steerer Tube, Full Carbon Dropout and eyelet for Mud Gaurds	Straight Bladed Carbon Front Fork with Alloy Steerer Tube, Full Carbon Dropout and eyelet for Mud Gaurds	Straight Bladed Carbon Front Fork with Alloy Tapered Steerer and Full Carbon Dropouts	Straight Bladed Alloy Front Fork, with Eyelets, Post Mount disk mount, Tapered Steerer
Rear Shock	N/A	N/A	N/A	N/A
Headset	FSA No. 23 Integrated Road, 1 1/8" Sealed Cartridge Bearings, 41mm Diameter	FSA No. 23 Integrated Road, 1 1/8" Sealed Cartridge Bearings, 41mm Diameter	FSA No. 42 Integrated Road, 1 1/8" upper Sealed Cartridge Bearing, 1.5 lower Sealed Cartridge Bearing	FSA No. 23 Integrated Road, 1 1/2" lower Sealed Cartridge Bearing and 1 1/8" upper Caged Double Sealed
Rear Hub	Alloy, Cup & Cone, Double Seal, 32 Hole	Alloy, Double Sealed Cartridge Bearing Hub, 32 Hole	Alloy, Double Sealed Cartridge Bearing Hub, 32 Hole	Alloy, Cup & Cone, Double Seal, 32 Hole
Front Hub	Alloy, Cup & Cone, Double Seal, 28 Hole	Alloy, Double Sealed Cartridge Bearing Hub, 28 Hole	Alloy, Double Sealed Cartridge Bearing Hub, 28 Hole	Alloy, Cup & Cone, Double Seal, 28 Hole
Spokes	WTB 2.0mm, Black Stainless with Brass Nipples	DT Champion, 2.0mm Black Stainless with Brass Nipples	DT Champion 2.0mm, Black Stainless with Brass Nipples	WTB 2.0mm, Black Sandvik Stainless with Black Brass Nipples
Rims	Alex Black Dragon 24, Deep Section, Disk Specific Road, 32 Hole Rear and 28 Front, Reflective 3M decals	Alex Black Dragon 24, Deep Section, Disk Specific Road, 32 Hole Rear and 28 Front, Reflective 3M decals	Alex Black Dragon 24, Deep Section, Disk Specific Road, 32 Hole Rear and 28 Front, Reflective 3M decals	Whyte Disk Road 32mm Deep, Offset Section Rim, 28 Hole Rear and 28 Front, 3M Reflective Decals
Tyres	Maxxis Detonator, 700 x 28c, Grey, Folding with Puncture Protection	Maxxis Detonator, 700 x 28c, Grey, Folding with Puncture Protection	Maxxis Detonator, 700 x 28c, Grey, Folding with Puncture Protection	Maxxis Detonator, 700 x 28c, Black/Grey, with Puncture Protection
Shift Levers	SRAM Via Centro, 10 Speed	SRAM Via GT, 10 Speed	SRAM Via GT, MMX Matchmaker, 10 Speed	Shimano ST-3500 SORA, 9 Speed
Front Derailleur	SRAM Via Centro, 10 Speed	SRAM Via Centro, 10 Speed	SRAM Via GT 10 Speed	Shimano FD-3500 SORA, 9 Speed
Rear Derailleur	SRAM Via Centro, 10 Speed	SRAM Via GT, 10 Speed	SRAM Via GT 10 Speed	Shimano RD-3500 SORA, 9 Speed
Cassette	SRAM PG-1030, 11-32, 10 Speed	SRAM PG-1030, 11-32, 10 Speed	SRAM PG-1030, 11-32, 10 Speed	Shimano HG-30, 11-32, 9 Speed
Chain	SRAM PC-1031, 10 Speed	SRAM PC-1031, 10 Speed	SRAM PC-1031, 10 Speed	Shimano HG53, 9 Speed
Crankset	SRAM Via Centro, 48-32, 10 Speed, Compact	SRAM Via GT, 48-32 Urban Compact, 10 Speed	SRAM Via GT, 48-32 Urban Compact, 10 Speed	FSA Vero, 34-50, 9 Speed, Compact Double
Bottom Bracket	SRAM Power Spline, 68mm Shell	SRAM GXP XR	SRAM GXP 73mm	FSA Square Taper
Seatpost	Whyte 20mm Offset, 27.2mm x 350mm, 6061 Alloy, 2 Bolt Clamp	Whyte 20mm Offset, 27.2mm x 350mm, 2014 Alloy, 2 Bolt Clamp	Whyte 20mm Offset, 27.2mm x 350mm, 2014 Alloy, 2 Bolt Clamp	Whyte 20mm Offset, 27.2mm x 350mm, 6061 Alloy, 2 Bolt Clamp
Seat	Whyte Custom, Triple Panel Design	Whyte Custom, Triple Panel Design	Whyte Custom, Triple Panel Design	Whyte Custom, Triple Panel Design
Bar	Whyte Narrow, 31.8mm, 30mm Rise, 580mm Wide	Whyte Narrow, 31.8mm, 30mm Rise, 580mm Wide	Whyte Narrow, 31.8mm, Riser Bar 30mm, 580mm Wide	Whyte Road, 31.8mm, Compact "Wing" Bar
Stem	Whyte, 70mm S, 80mm M, 90mm L & XL	Whyte, 70mm S, 80mm M, 90mm L & XL	Whyte, 80mm M, 90mm L & XL	Whyte -6 Deg, 800mm 47cm, 90mm 49cm/51cm, 100mm 53cm
Grips	Whyte Custom Dual Density Lock-on's	GP1 Ergon, Dual Density	GP1 Ergon Grip, Dual Density	Whyte Anti Slip with 3M Reflective logos on tapes
Front Brake	Tektro Gemini, 160mm Rotor	Tektro Gemini, 160mm Rotor	SRAM DB5, 160mm Rotor	Pro Max CX Mechanicals, Linear outer cables with Kevlar Reinforcement, 160mm Rotor
Rear Brake	Tektro Gemini, 160mm Rotor	Tektro Gemini, 160mm Rotor	SRAM DB5, 160mm Rotor	Pro Max CX Mechanicals, Linear outer cables with Kevlar Reinforcement, 160mm Rotor
Brake Levers	Tektro Gemini	Tektro Gemini	SRAM DB5, MMX Matchmaker	Shimano ST-3500 SORA with In Line brake levers
Pedals	Fibre reinforced Composite with Toe Clip	Fibre reinforced Composite with Toe Clip	None	Fibre reinforced Composite with Toe Clip

RD-7 Road Disc				
Model	Devon Women's	Sussex	Dorset	Suffolk
Colour	Matt Zinc/Violet & Aqua	Matt Zinc/Lime	Matt Granite/Apple	Matt Granite/Orange & Aqua
Sizes Available	47cm, 49cm, 51cm, 53cm	50cm, 52cm, 54cm, 56cm, 58cm	52cm, 54cm, 56cm, 58cm	52cm, 54cm, 56cm, 58cm
Frame	6061 Hydro Formed T6 Aluminium, Custom Drawn, Multi Butted with Post Mount Chainstay Disk mount	6061 Hydro Formed T6 Aluminium, Custom Drawn, Multi Butted with Post Mount Chainstay Disk mount	6061 Hydro Formed T6 Aluminium, Custom Drawn, Multi Butted with Post Mount Chainstay Disk mount	6061 Hydro Formed T6 Aluminium, Custom Drawn, Multi Butted with Post Mount Chainstay Disk mount
Fork	Straight Bladed Full Carbon Front Fork, Tapered Alloy Steerer, with Post Mount full carbon Dropouts and eyelet for Mud Guards	Straight Bladed Alloy Front Fork, with Eyelets, Post Mount disk mount, Tapered Steerer	Straight Bladed Full Carbon Front Fork, Tapered Alloy Steerer, with Post Mount full carbon Dropouts and eyelet for Mud Guards	Straight Bladed Full Carbon Front Fork, Tapered Alloy Steerer, with Post Mount full carbon Dropouts and eyelet for Mud Guards
Rear Shock	N/A	N/A	N/A	N/A
Headset	FSA No. 42 Integrated Road, 1 1/2" lower and 1 1/8" upper Sealed Cartridge Bearings	FSA No. 42 Integrated Road, 1 1/2" lower Sealed Cartridge Bearing and 1 1/8" upper Sealed Ball Retainer	FSA No. 42 Integrated Road, 1 1/2" lower and 1 1/8" upper Sealed Cartridge Bearings	FSA No. 42 Integrated Road, 1 1/2" lower and 1 1/8" upper Sealed Cartridge Bearings
Rear Hub	Alloy, Double Sealed Cartridge Bearing Hub, 32 Hole	Alloy, Cup & Cone, Double Seal, 32 Hole	Alloy, Double Sealed Cartridge Bearing Hub, 32 Hole	Alloy, Double Sealed Cartridge Bearing Hub, 32 Hole, 11 Speed
Front Hub	Alloy, Double Sealed Cartridge Bearing Hub, 28 Hole	Alloy, Cup & Cone, Double Seal, 28 Hole	Alloy, Double Sealed Cartridge Bearing Hub, 28 Hole	Alloy, Double Sealed Cartridge Bearing Hub, 28 Hole
Spokes	WTB 2.0mm, Black Sandvik Stainless with Black Brass Nipples	WTB 2.0mm, Black Sandvik Stainless with Black Brass Nipples	WTB 2.0mm, Black Sandvik Stainless with Black Brass Nipples	WTB 2.0mm, Black Sandvik Stainless with Black Brass Nipples
Rims	Whyte Disk Road 32mm Deep, Offset Section Rim, 32 Hole Rear and 28 Front, 3M Reflective Decals	Whyte Disk Road 32mm Deep, Offset Section Rim, 32 Hole Rear and 28 Front, 3M Reflective Decals	Whyte Disk Road 32mm Deep, Offset Section Rim, 32 Hole Rear and 28 Front, 3M Reflective Decals	Whyte Disk Road 32mm Deep, Offset Section Rim, 32 Hole Rear and 28 Front, 3M Reflective Decals
Tyres	Maxxis Detonator, 700 x 28c, Black/Grey, with Puncture Protection, Folding	Maxxis Detonator, 700 x 28c, Black/Grey, with Puncture Protection	Maxxis Detonator, 700 x 28c, Black/Grey, with Puncture Protection, Folding	Maxxis Detonator, 700 x 28c, Black/Grey, with Puncture Protection, Folding
Shift Levers	Shimano ST-3500 Sora, 9 Speed	Shimano ST-3500 SORA, 9 Speed	Shimano ST-3500 Sora, 9 Speed	Shimano 105 ST-5800, 11 Speed
Front Derailleur	Shimano FD-3500 Sora, 9 Speed	Shimano FD-3500 SORA, 9 Speed	Shimano FD-3500 Sora, 9 Speed	Shimano 105 FD-5800, 11 Speed
Rear Derailleur	Shimano RD-4601 Tiagra	Shimano RD-3500 SORA, 9 Speed	Shimano RD-4601 Tiagra	Shimano 105 RD-5800, 11 Speed
Cassette	Shimano HG-30 Sora 11-32, 9 Speed	Shimano HG-30, 11-32, 9 Speed	Shimano CS-3500 Sora 11-32, 9 Speed	Shimano 105 CS-5800 11-32, 11 Speed
Chain	Shimano HG-53, 9 Speed	Shimano HG53, 9 Speed	Shimano HG-53, 9 Speed	Shimano CN-600, 11 Speed
Crankset	FSA Omega 34-50, 9 Speed, 170mm Crank Length, Compact Double	FSA Vero, 34-50, 9 Speed, Compact Double	FSA Omega 34-50, 9 Speed, Compact Double	FSA Gossamer Pro EVO-386 34-50, 11 Speed, Compact Double
Bottom Bracket	FSA Mega Exo	FSA Square Taper	FSA Mega Exo	FSA EVO-8681
Seatpost	Whyte 20mm Offset, 27.2mm x 350mm, 6061 Alloy, 2 Bolt Clamp	Whyte 20mm Offset, 27.2mm x 350mm, 6061 Alloy, 2 Bolt Clamp	Whyte 20mm Offset, 27.2mm x 350mm, 6061 Alloy, 2 Bolt Clamp	Whyte 20mm Offset, 27.2mm x 350mm, 6061 Alloy, 2 Bolt Clamp
Seat	Whyte Custom, Triple Panel Design	Whyte Custom, Triple Panel Design	Whyte Custom, Triple Panel Design	Whyte Custom, Triple Panel Design
Bar	Whyte Road, 31.8mm, Compact "Wing" Bar	Whyte Road, 31.8mm, Compact "Wing" Bar	Whyte Road, 31.8mm, Compact "Wing" Bar	Whyte Road, 31.8mm, Compact "Wing" Bar
Stem	Whyte -6 Deg, 800mm 47cm, 90mm 49cm/51cm, 100mm 53cm	Whyte -6 Deg, 100mm 52cm, 110mm 54cm/56cm, 120mm 58cm	Whyte -6 Deg, 100mm 52cm, 110mm 54cm/56cm, 120mm 58cm	Whyte -6 Deg, 100mm 52cm, 110mm 54cm/56cm, 120mm 58cm
Grips	Whyte Anti Slip with 3M Reflective logos on tapes	Whyte Anti Slip with 3M Reflective logos on tapes	Whyte Anti Slip with 3M Reflective logos on tapes	Whyte Anti Slip with 3M Reflective logos on tapes
Front Brake	TRP HyRd, Linear outer cables with Kevlar Reinforcement, 160mm Rotor	Pro Max CX Mechanicals, Linear outer cables with Kevlar Reinforcement, 160mm Rotor	TRP HyRd, Linear outer cables with Kevlar Reinforcement, 160mm Rotor	TRP HyRd, Linear outer cables with Kevlar Reinforcement, 160mm Rotor
Rear Brake	TRP HyRd, Linear outer cables with Kevlar Reinforcement, 160mm Rotor	Pro Max CX Mechanicals, Linear outer cables with Kevlar Reinforcement, 160mm Rotor	TRP HyRd, Linear outer cables with Kevlar Reinforcement, 160mm Rotor	TRP HyRd, Linear outer cables with Kevlar Reinforcement, 160mm Rotor
Brake Levers	Shimano ST-4600 with In Line Brake Levers	Shimano ST-3500 SORA	Shimano ST-3500	Shimano 105 ST-5800
Pedals	Fibre reinforced Composite with Toe Clip	Fibre reinforced Composite with Toe Clip	Fibre reinforced Composite with Toe Clip	Full Alloy with Toe Clip

RD-7 Road Disc		RRD Carbon Road Disc	
Model	Cornwall	Stowe Rival	Stowe Ultegra
Colour	Matt UD/White & Grey	Matt UD/Aqua	Matt UD/Aqua
Sizes Available	51cm, 54cm, 57cm, 60cm	51cm, 54cm, 57cm	51cm, 54cm, 57cm
Frame	Uni-directional Multi Monocoque with internal cable routing, Post Mount chainstay mounted disk brake and full carbon dropouts	Uni-directional Multi Monocoque with internal cable routing, Post Mount chainstay mounted disk brake and full carbon dropouts	Uni-directional Multi Monocoque with internal cable routing, Post Mount chainstay mounted disk brake and full carbon dropouts
Fork	Straight Bladed Full Carbon Front Fork, Tapered Alloy Steerer, with Post Mount full carbon Dropouts and eyelet for Mud Guards	Straight Bladed Full Carbon Front Fork with Tapered Alloy Steerer and Post Mount full carbon Dropouts	Straight Bladed Full Carbon Front Fork with internal hose routing, Tapered Carbon Steerer, with Post Mount full carbon Dropouts
Rear Shock	N/A	N/A	N/A
Headset	FSA No. 42 Integrated Road, 1 1/2" lower and 1 1/8" upper Sealed Cartridge Bearings	FSA No. 42 Integrated Road, 1 1/2" lower and 1 1/8" upper Sealed Cartridge Bearings	FSA No. 42 Integrated Road, 1 1/2" lower and 1 1/8" upper Sealed Cartridge Bearings
Rear Hub	Whyte Alloy Double Sealed with Cartridge Bearings, 32 Hole	Whyte Alloy Double Sealed with Cartridge Bearings, 28 Hole	Whyte Road Disk Carbon Wheelset, 28 Straight Pull S1St spokes, Alloy Freehub, Center-Lock hub with double sealed cartridge bearings
Front Hub	Whyte Alloy Double Sealed with Cartridge Bearings, 28 Hole	Whyte Alloy Double Sealed with Cartridge Bearings, 24 Hole	Whyte Road Disk Carbon Wheelset, 24 Straight Pull S1St spokes, Center-Lock hub with double sealed cartridge bearings
Spokes	WTB 2.0mm, Black Sandvik Stainless with Brass Nipples	DT Champion 2.0mm, Black Sandvik Stainless with Brass Nipples	Black Stainless Steel Spokes, DT Swiss Prolock Alloy Nipples
Rims	Whyte Disk Road 32mm Deep, Offset Section Rim, 32 Hole Rear and 28 Front, 3M Reflective Decals	Whyte Road Disk 28mm Offset Deep Section, 28 Hole Rear and 24 Front	Whyte Road Disk Carbon, 24mm Deep, 28 Hole Rear and 24 Front
Tyres	Maxxis Detonator, 700 x 28c, Black/Grey, with Puncture Protection, Folding	Maxxis Relix, 700 x 25c, 170tpi, with Silkshield Puncture Protection, Folding	Maxxis Relix, 700 x 25c, 170tpi, with Silkshield Puncture Protection, Folding
Shift Levers	SRAM SB700, Full Hydraulic, 10 Speed	SRAM Rival, Full Hydraulic, 11 Speed	Shimano 685, Full Hydraulic, 11 Speed
Front Derailleur	SRAM Apex with Chain Stopper, 10 Speed	SRAM Rival, Yaw function with Chain Stopper, 11 Speed	Shimano Ultegra with Chain Stopper, 11 Speed
Rear Derailleur	SRAM Rival, 32T Max Capacity, WiFi Function, 11 Speed	SRAM Force, 32T Max Capacity, WiFi Function, 11 Speed	Shimano Ultegra, Max capacity 32T, 11 Speed
Cassette	SRAM PG-1030, 11-28, 10 Speed	SRAM PG-1130, 11-28, 11 Speed	SRAM PG-1130, 11-28, 11 Speed
Chain	SRAM PC-1031, 10 Speed	SRAM PC-1130	FSA Team Issue, 11 Speed
Crankset	FSA Gossamer Pro EVO-386 34-50, 10 Speed, Compact Double	SRAM Rival 50-34 compact, Yaw function, 11 Speed	FSA SL-K, UD Carbon, EVO-386 36-52, Compact Double, 11 Speed
Bottom Bracket	FSA EVO-8681	GXP	EVO 386
Seatpost	Whyte 20mm Offset, 27.2mm x 350mm, 2014 Alloy, 2 Bolt Clamp	Whyte 20mm Offset, 27.2mm x 350mm, 2014 Alloy, 2 Bolt Clamp	FSA SL-K, UD Carbon, 27.5mm X 350mm Lg, 20mm offset.
Seat	Whyte Custom, Light Weight Triple Density Base, Triple Panel Design	Whyte Custom, Light Weight Triple Density Base, Triple Panel Design	Fi'zi:k Aliante Delta, Maganese Rail
Bar	Whyte Road, 31.8mm, Compact "Wing" Bar	Whyte Road, 31.8mm, Compact "Wing" Bar, 400mm 51, 420mm 54, 440mm 57 & 60	FSA SL-K Compact, UD Carbon, 400/420/440mm
Stem	Whyte -6 Deg, 100mm 51, 110mm 54 & 57, 120mm 60	Whyte -6 Deg (flipflop design), 90mm 51, 100mm 54, 110mm 57 & 60	Whyte -6 Deg (flipflop design), 90mm 51, 100mm 54, 110mm 57 & 60
Grips	Whyte Anti Slip with 3M Reflective logos on tapes	Whyte Anti Slip with 3M Reflective logos	Whyte Anti Slip with 3M Reflective logos
Front Brake	SRAM SB700 Hydraulic, 160mm Rotor	SRAM Rival Hydraulic, 160mm Rotor	Shimano 785, Full Hydraulic, 160mm Rotor
Rear Brake	SRAM SB700 Hydraulic, 160mm Rotor	SRAM Rival Hydraulic, 160mm Rotor	Shimano 785, Full Hydraulic, 140mm Rotor
Brake Levers	SRAM SB700 Hydraulic	SRAM Rival Hydraulic	Shimano 685, Full Hydraulic
Pedals	None	None	None





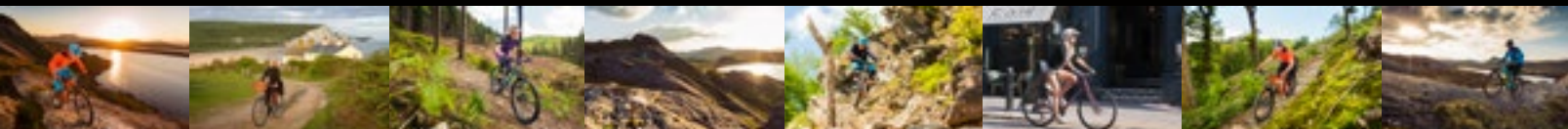
WHYTE

PERFORMANCE BY DESIGN

Specification details were correct at the time of printing. However, product changes may occur after this time. Please check model availability and full specification details with your dealer prior to ordering.

We discourage mail order on the grounds of customer fit, set-up and ease of after-sales service. Therefore, only bikes supplied fully assembled directly from an official dealer's premises qualify for any WHYTE warranty in the UK. Customer's statutory rights are not affected.

whyte.bike



DESIGNED IN THE UK

